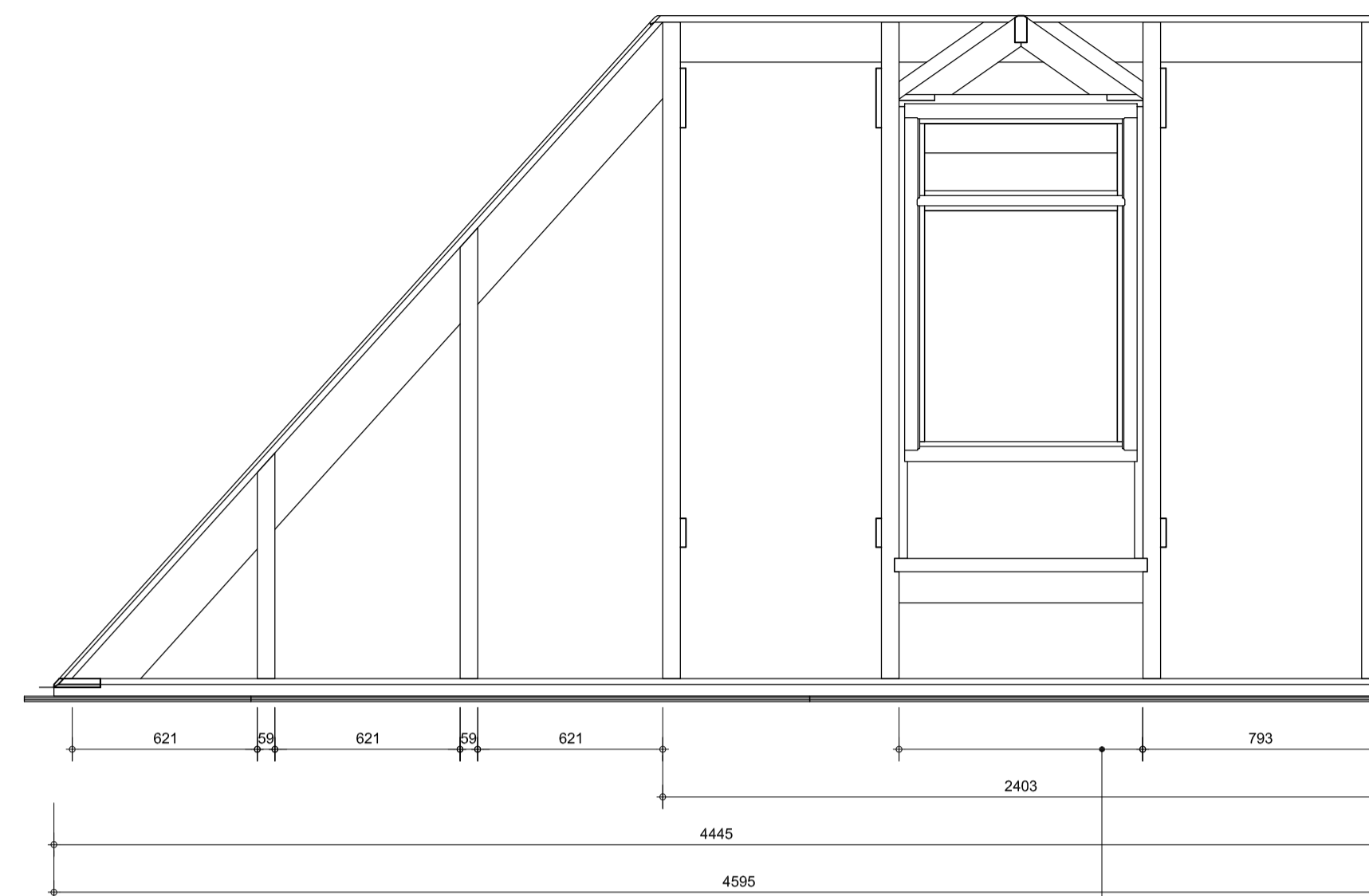
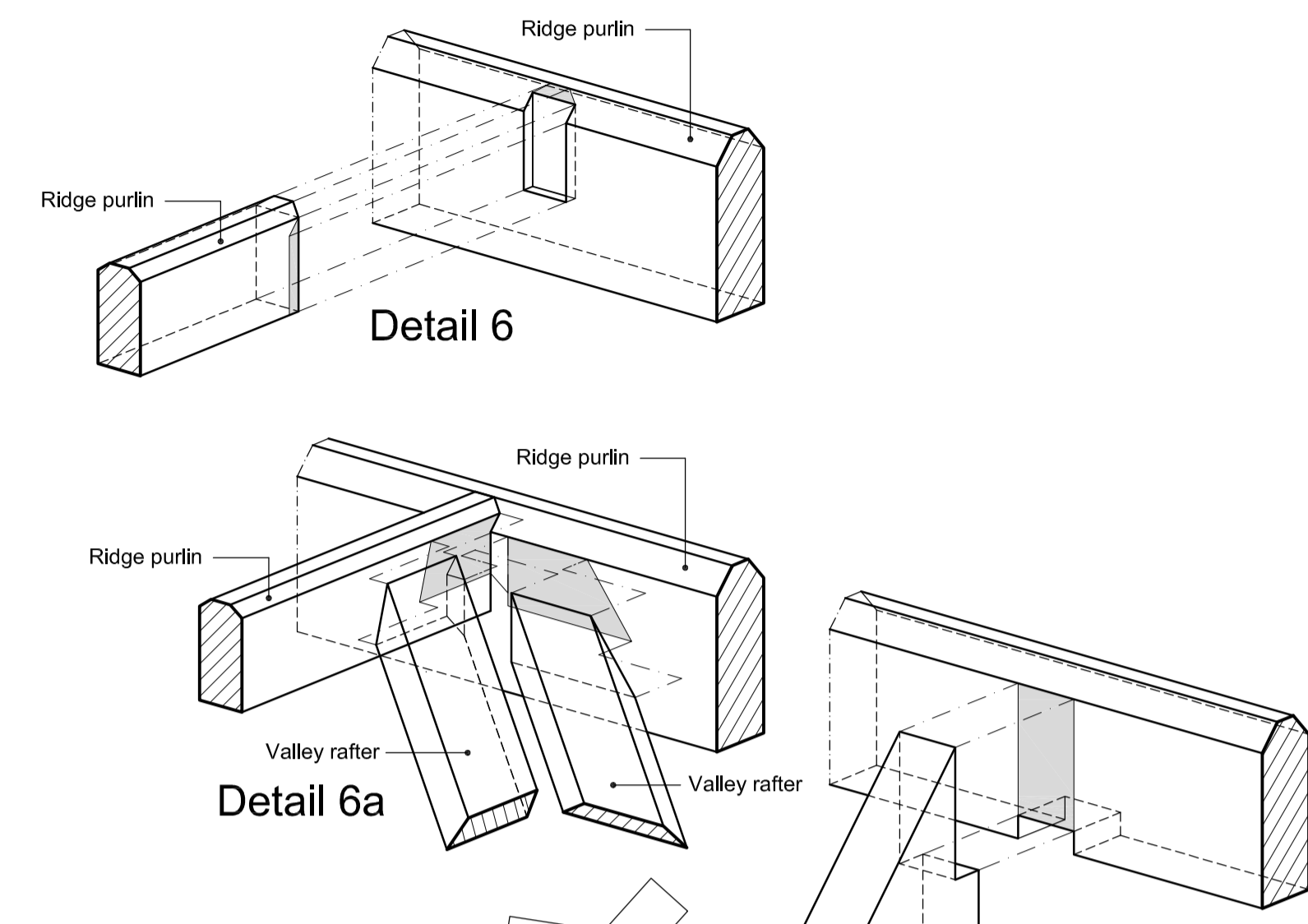


Front View

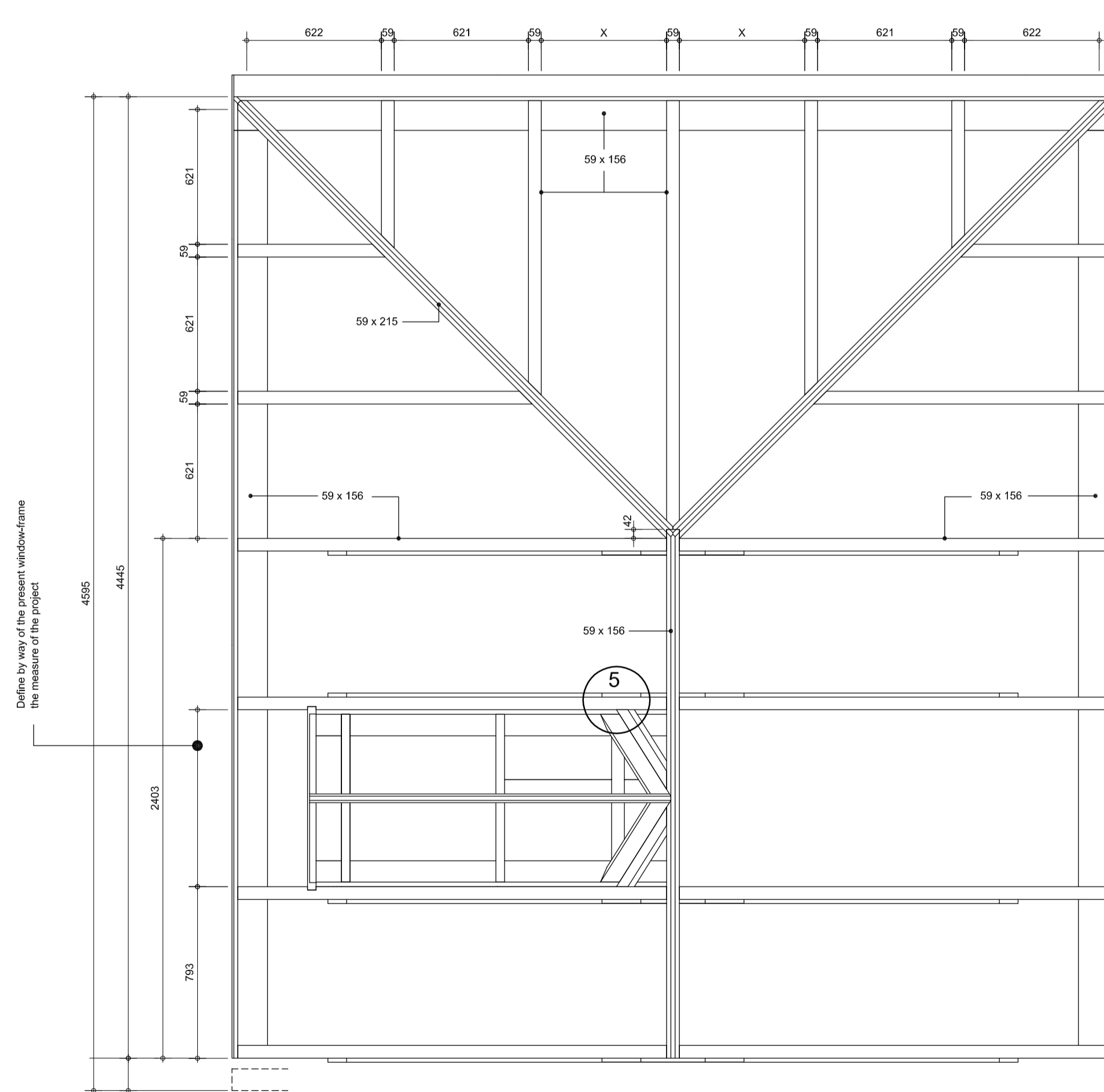


Left Side View

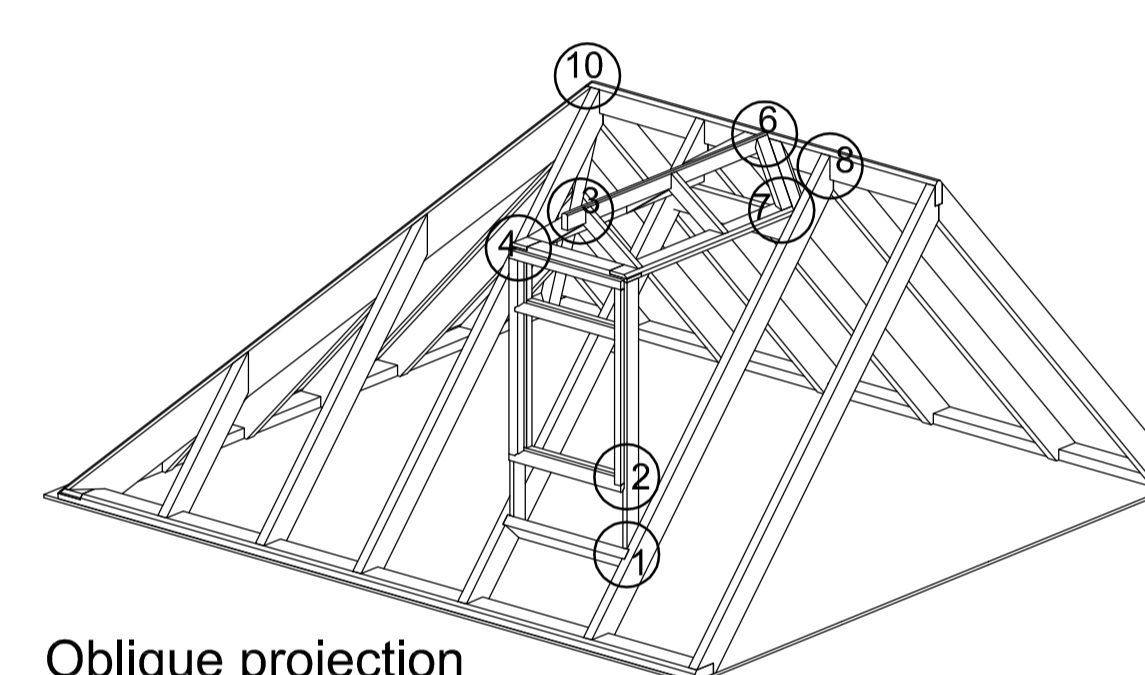


Detail 6

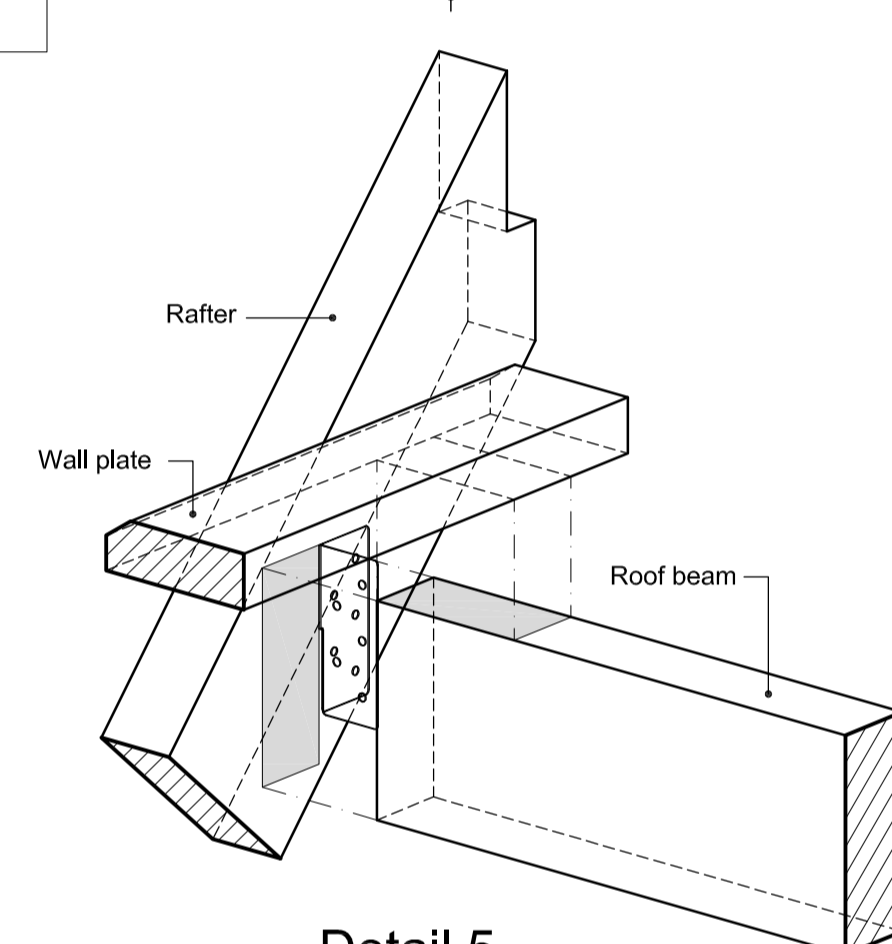
Detail 6a



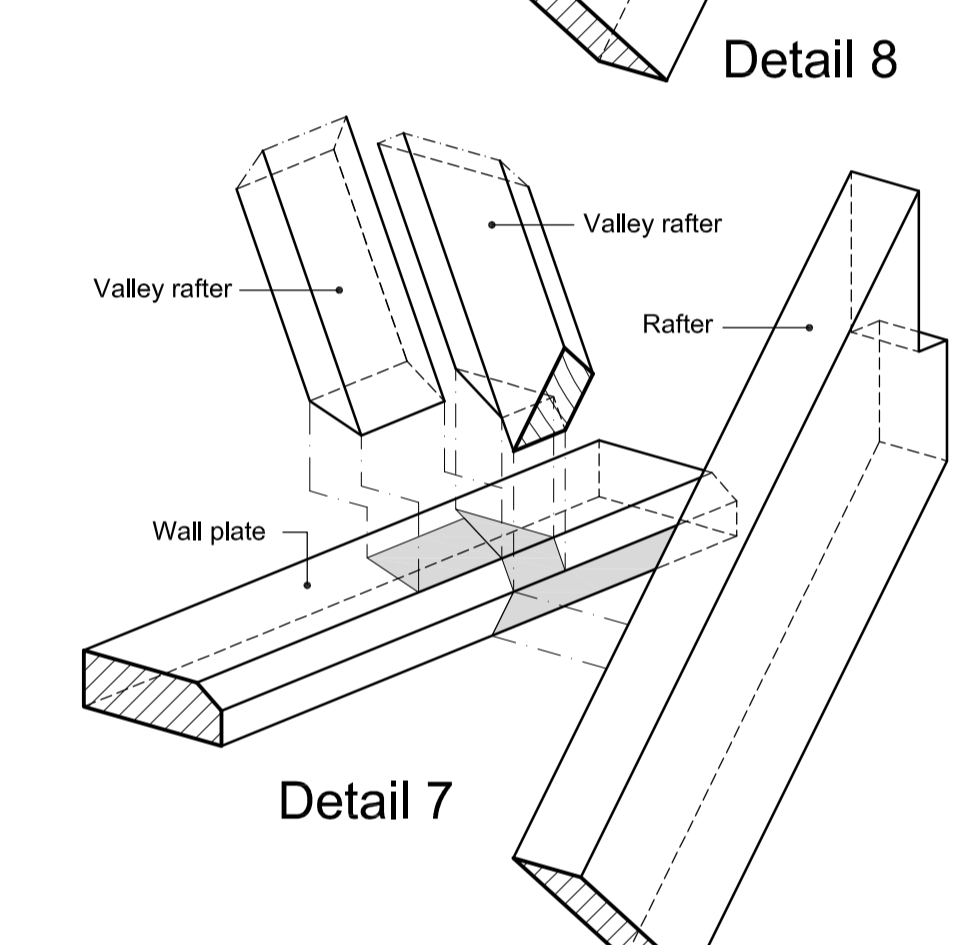
Top View



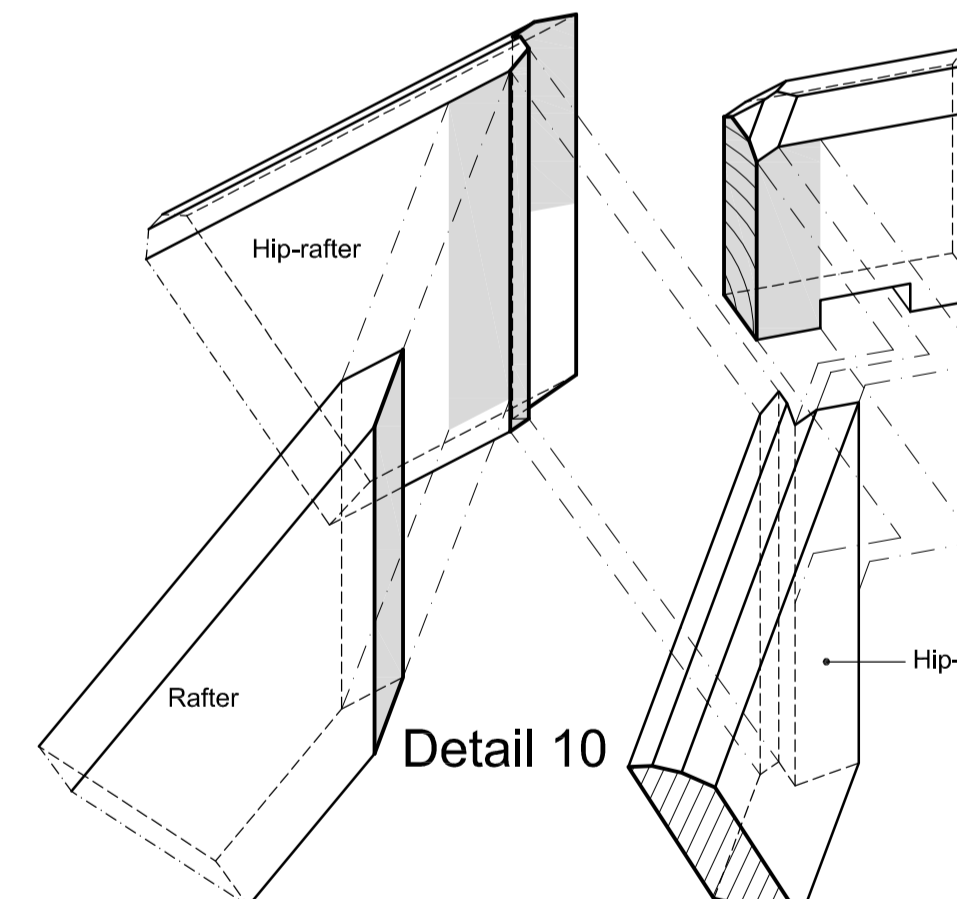
Oblique projection



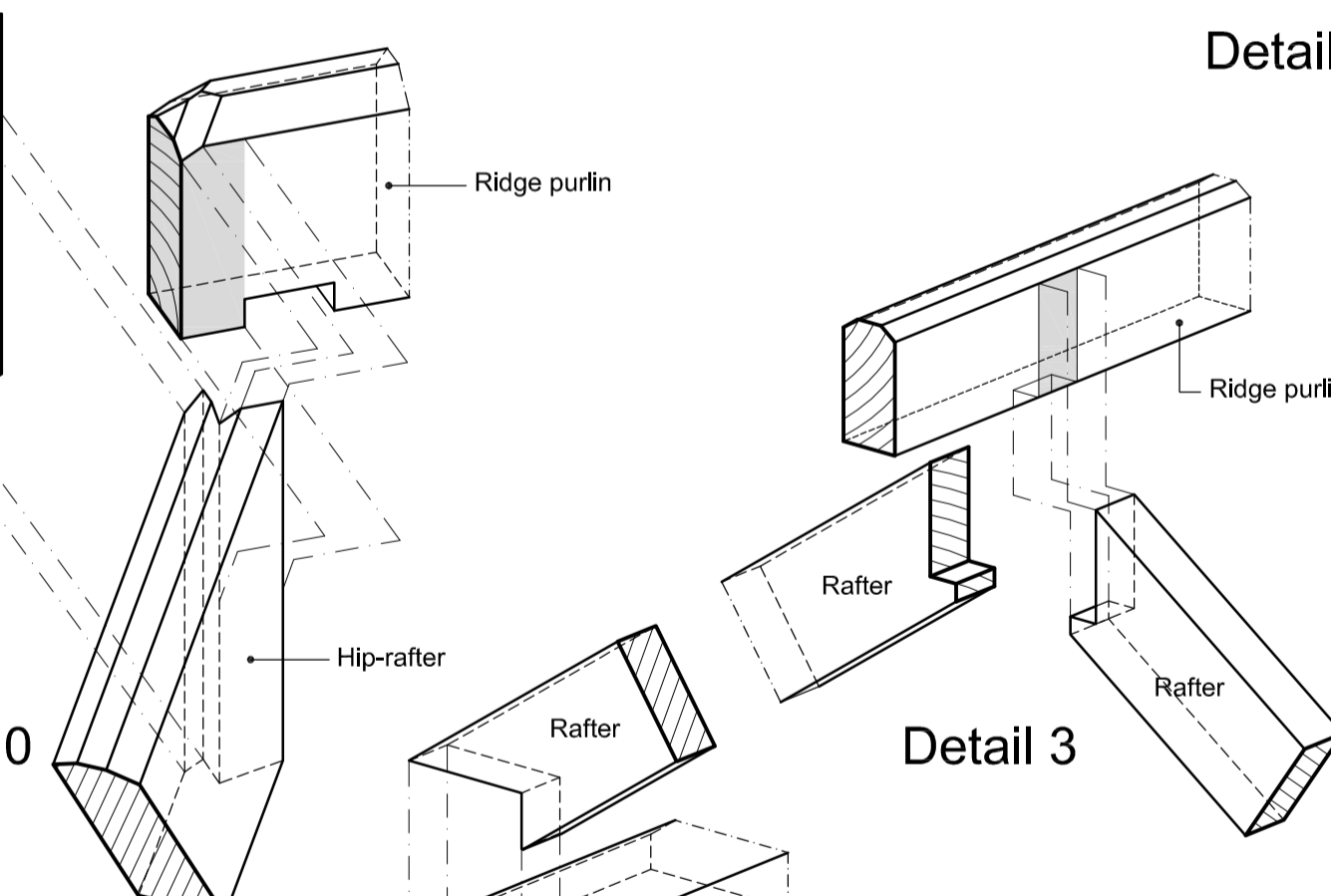
Detail 5



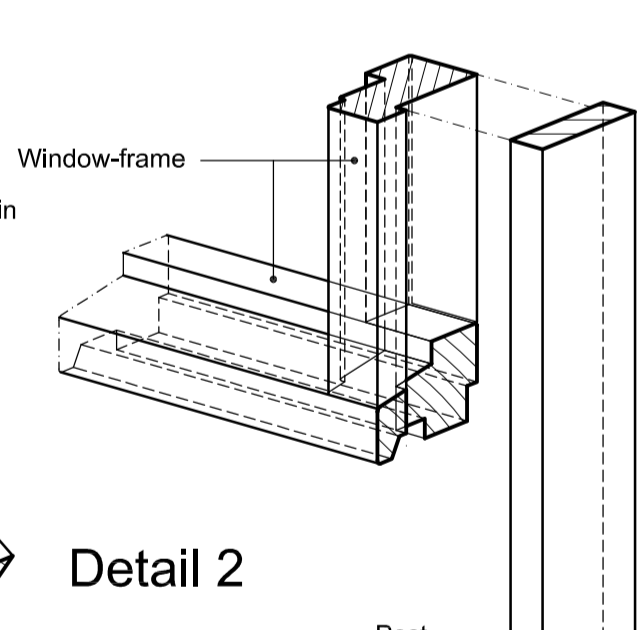
Detail 7



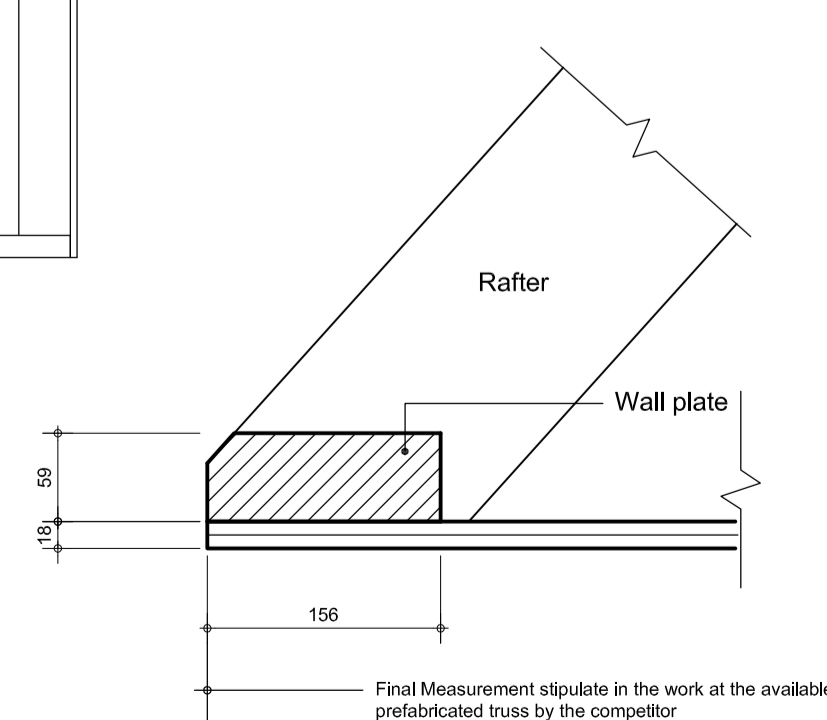
Detail 10



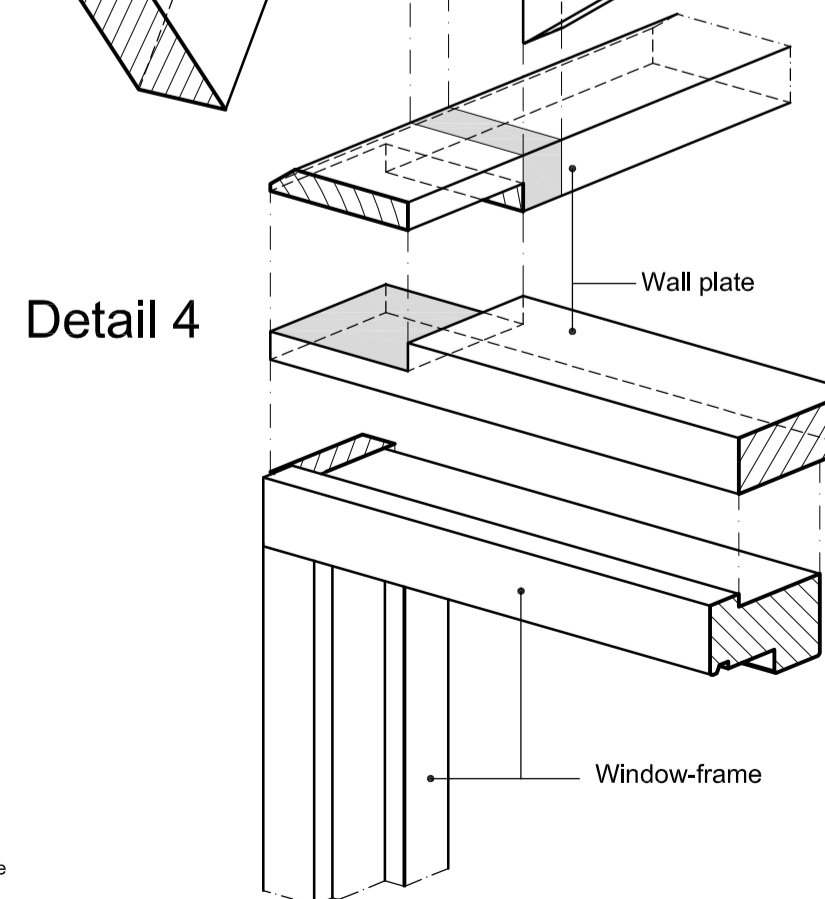
Detail 3



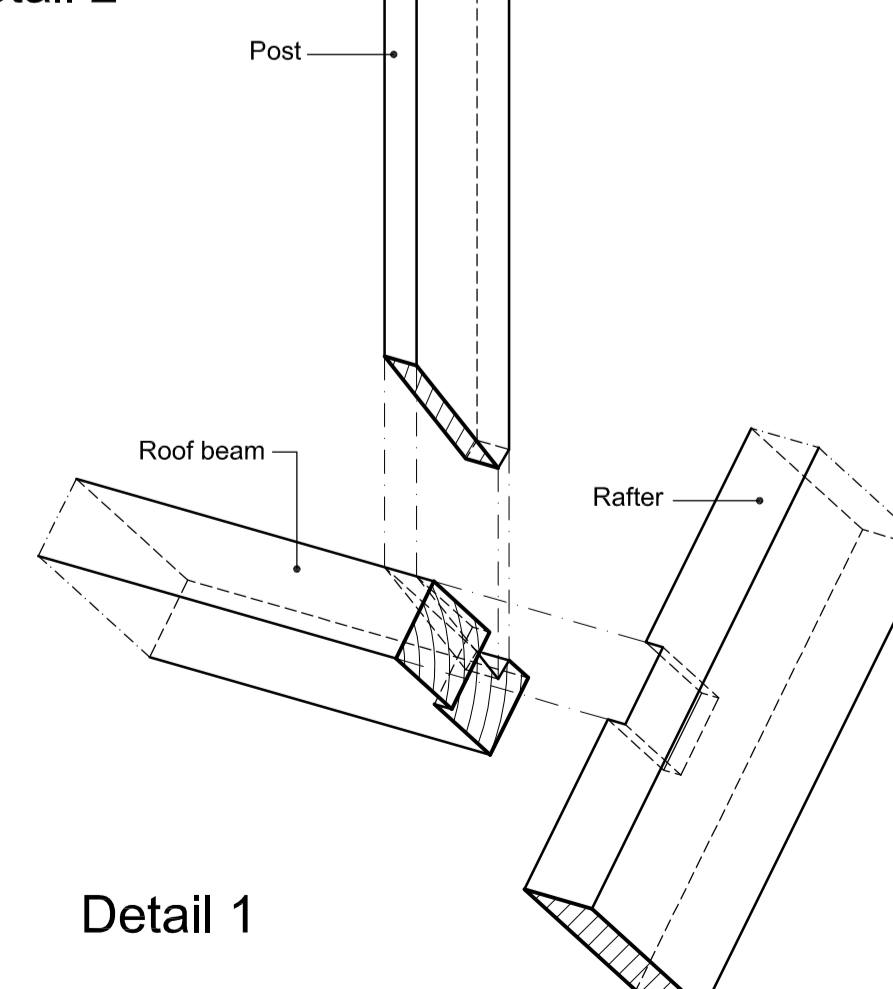
Detail 2



Detail 9



Detail 4



Detail 1

Renvooi Dormer:

Wall plate	40 x 120
Rafter	40 x 90
Ridge purlin	40 x 90
Post	28 x 96
Valley rafter	40 x 90
Roof beam	59 x 156

Euroskills
Rotterdam
18, 19 and 20 September 2008



© 2008 FUNDEON kenniscentrum beroepsdewijs bouw & infra

A. 08-08	Schaal:	1:5; 1:20	Get.:	NvdK
B.	Formaat:	A1	Geç.:	A.H.
C.	Plotschaal:	20	Data:	12-6-08

ES2008 dakkapel T