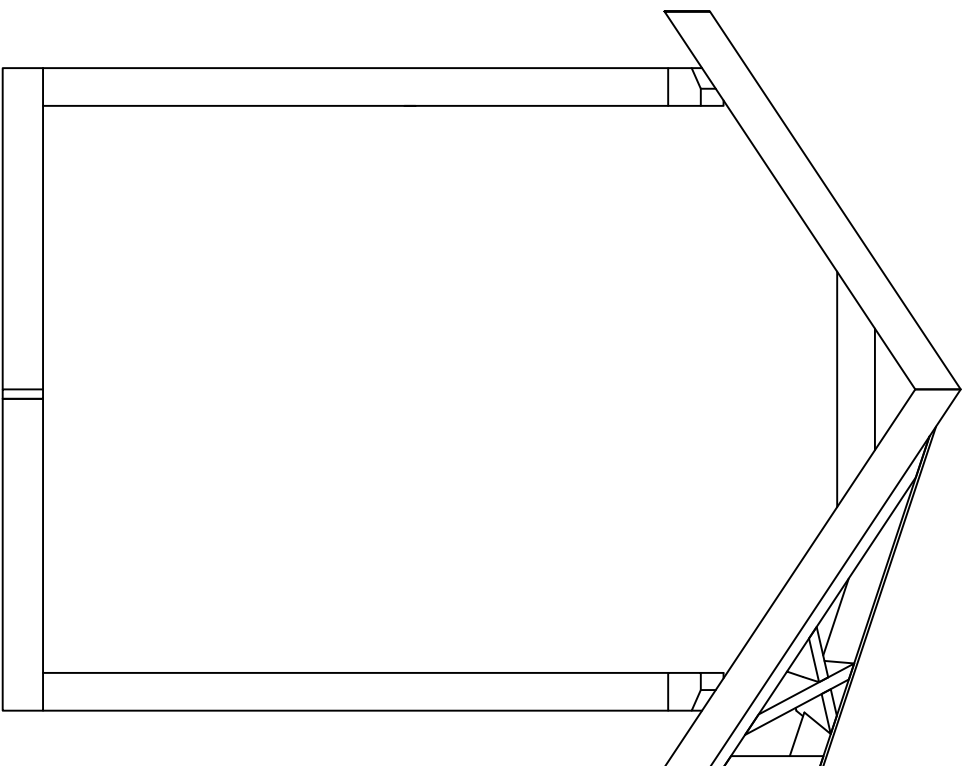
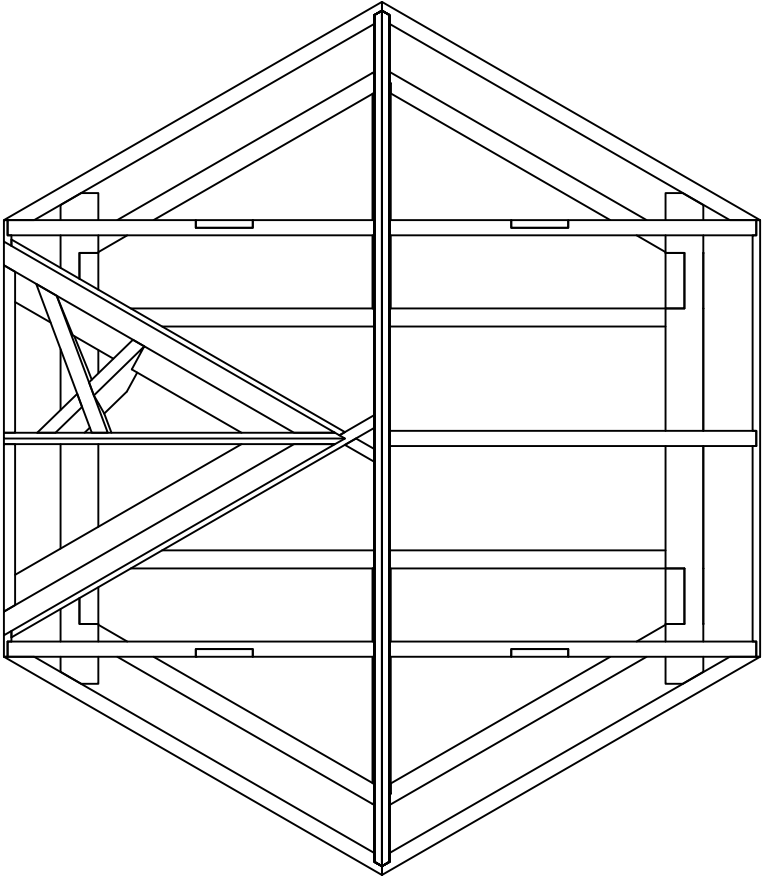


ELEVATION

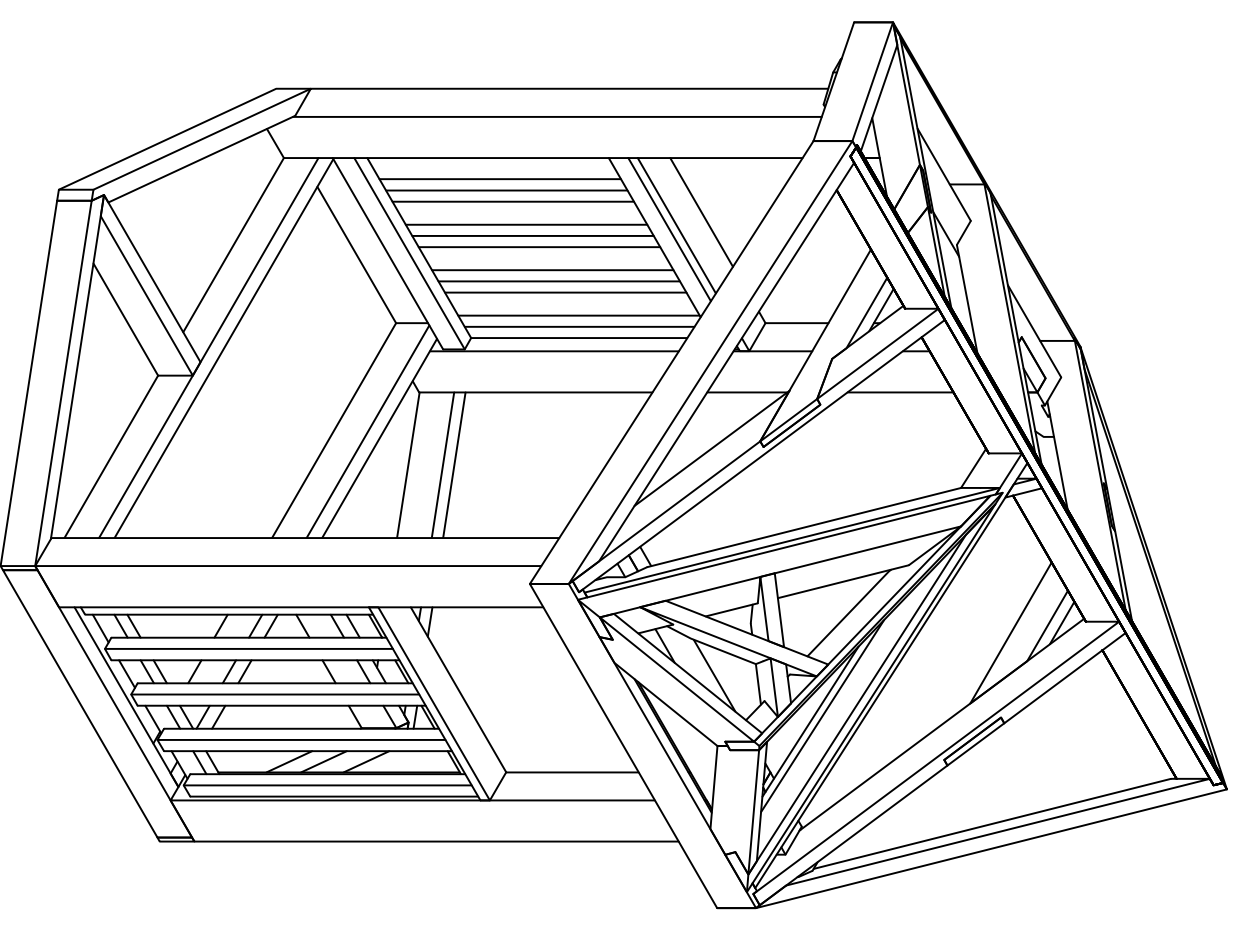


END ELEVATION



PLAN

- Module 1 Floor frame, Post & beam
- Module 2 Main roof
- Module 3 Dormer
- Module 4 Fit supplied balustrade and decking



Test Project for the 40th WorldSkills
Competition in Calgary, Canada 2009



Skill: Carpentry No. 26

Scale: 1:20 Date: 30-08-2009 Paper: A3

Drawn / Design by: Pat Noonan_JE

Description: 3D of Gazebo

Drawing No: 1

Rev: 30% changes

Page: 1 of 6

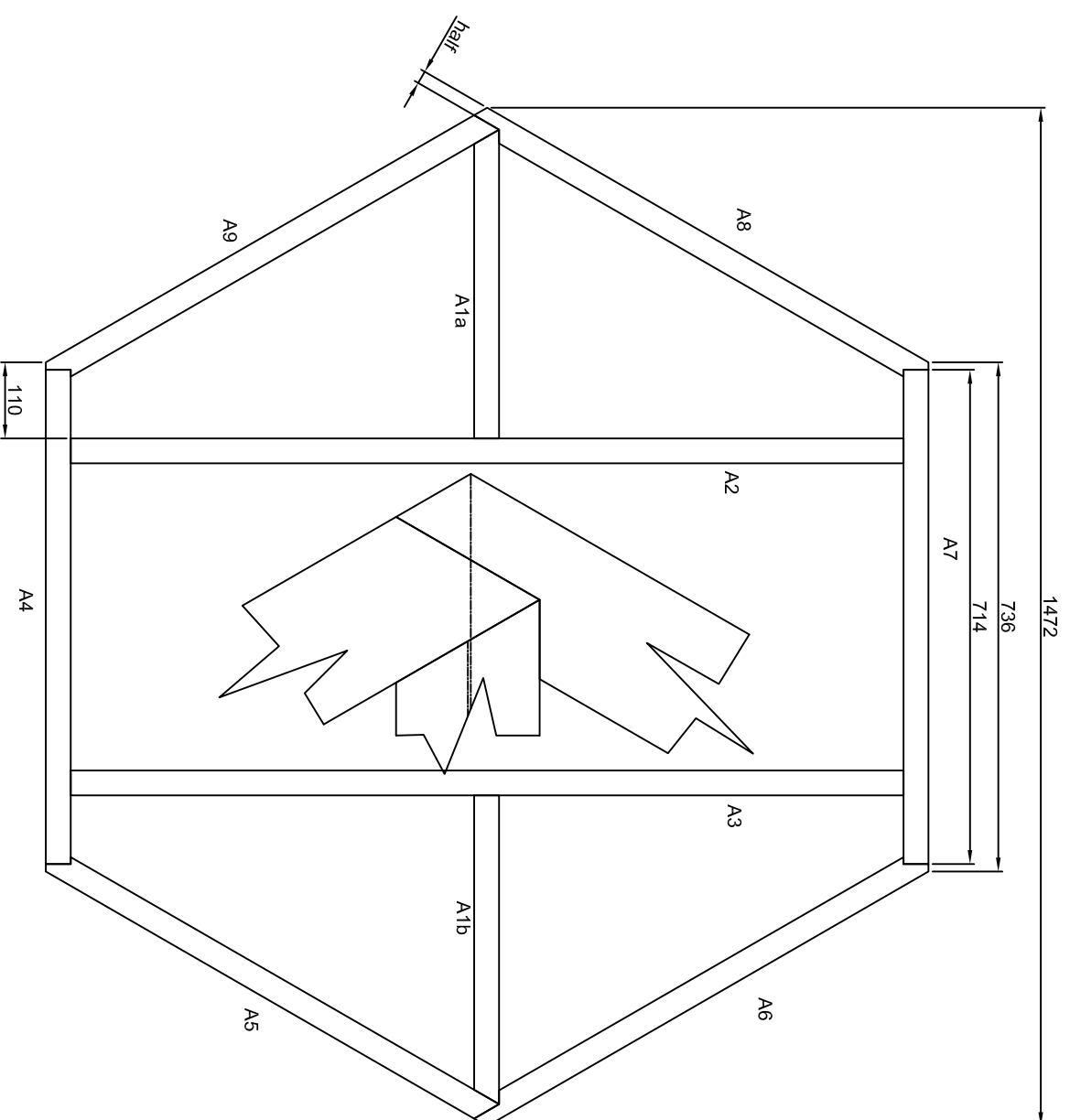




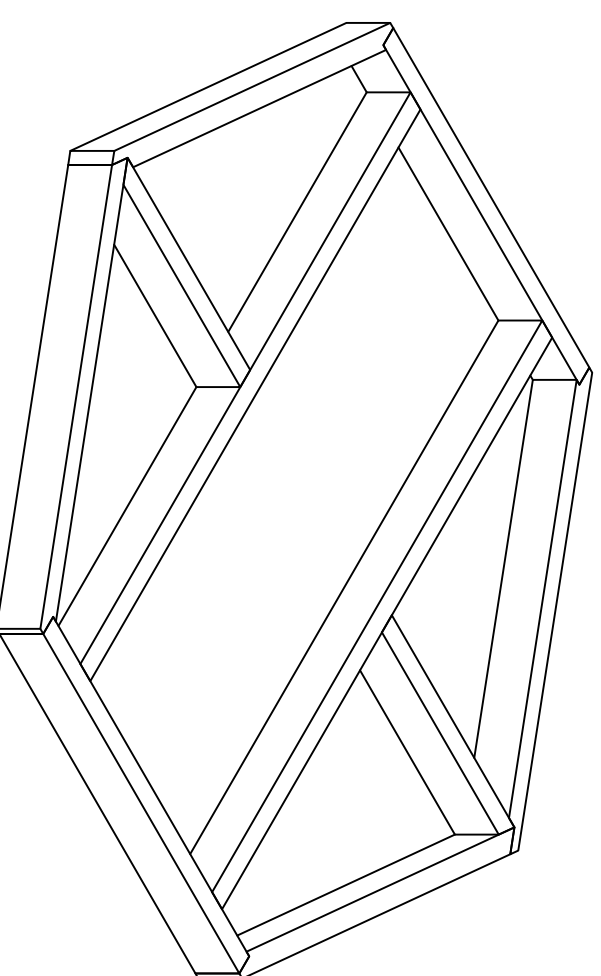
ELEVATION



END ELEVATION



PLAN



Item	Qty	Material	Length	Width	Thickness
A1 a & b	1	1463	80	36	
A2	1	1275	80	36	
A3	1	1275	80	36	
A4	1	825	80	36	
A5	1	825	80	36	
A6	1	825	80	36	
A7	1	825	80	36	
A8	1	825	80	36	
A9	1	825	80	36	

Test Project for the 40th WorldSkills
Competition in Calgary, Canada 2009



Skill: Carpentry No. 26

Scale: 1:10 Date: 30-08-2009

Paper: A3

Drawn / Design by: Pat Noonan IE

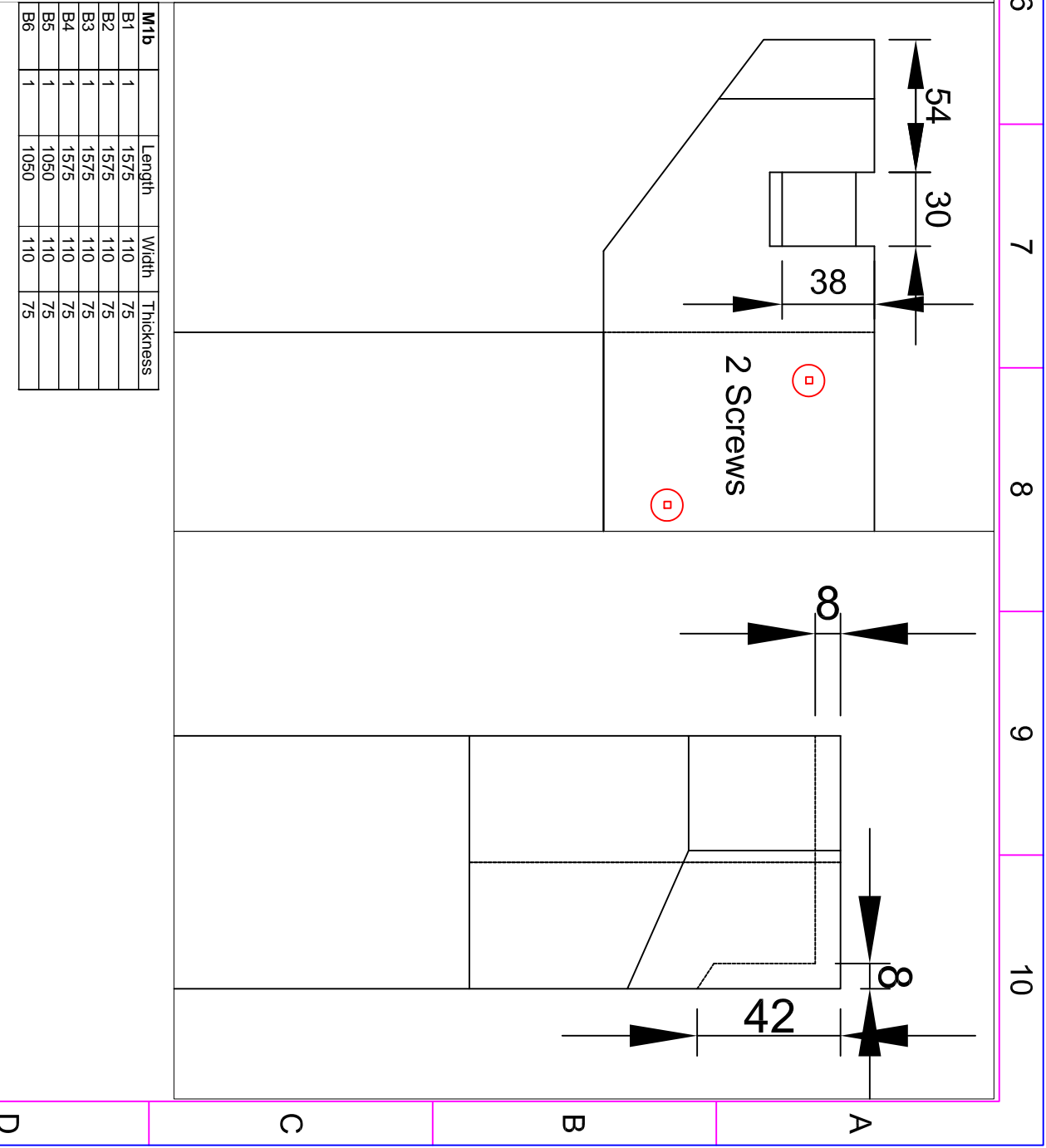
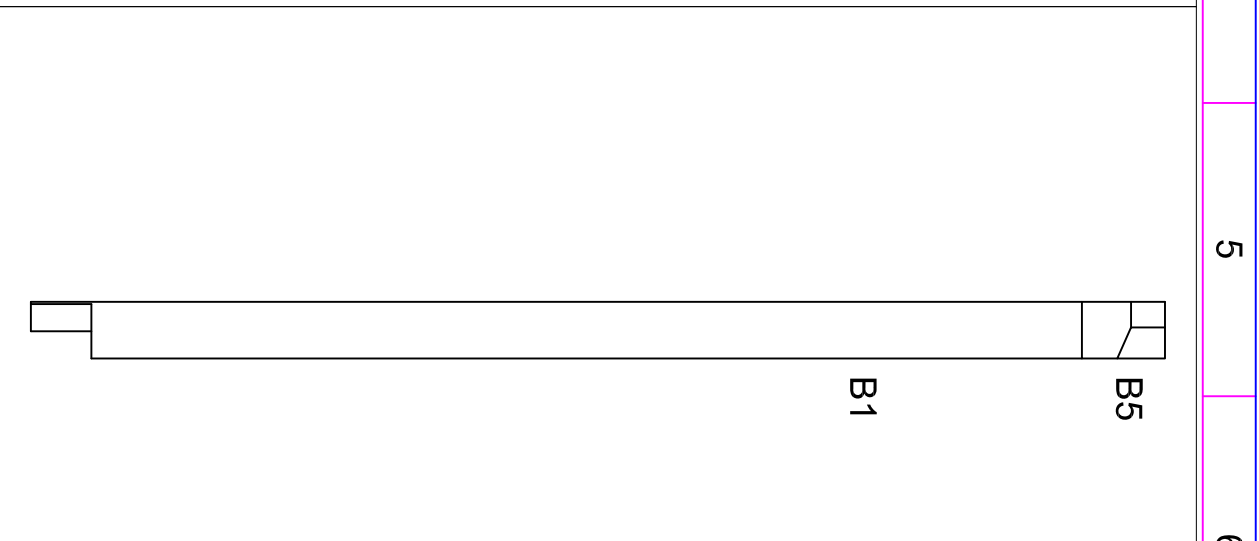
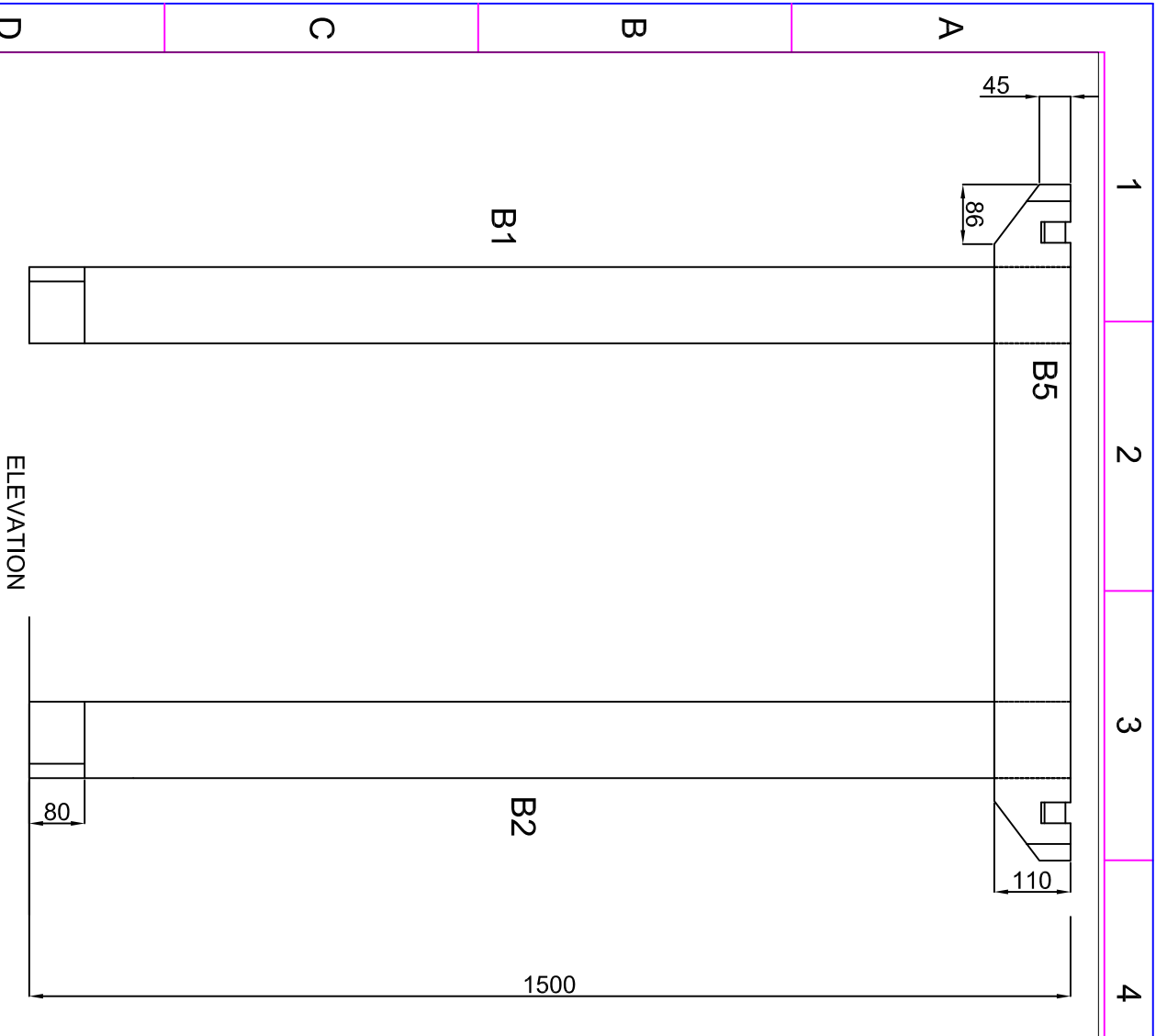
Drawing No: 2

Description: Module 1a

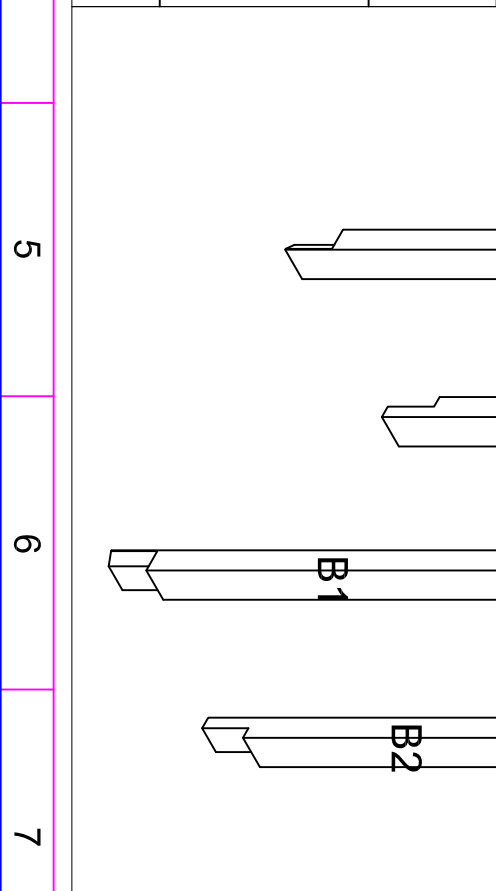
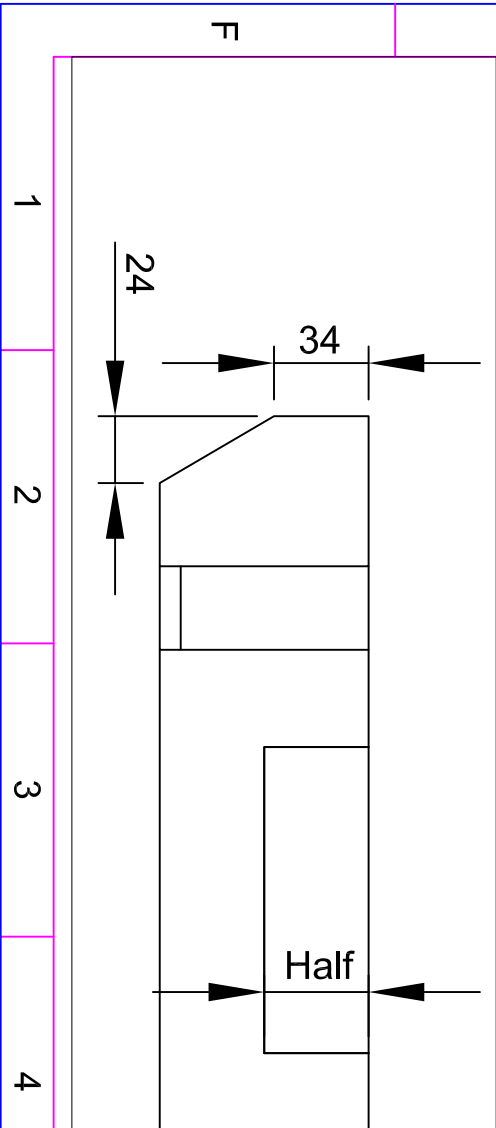
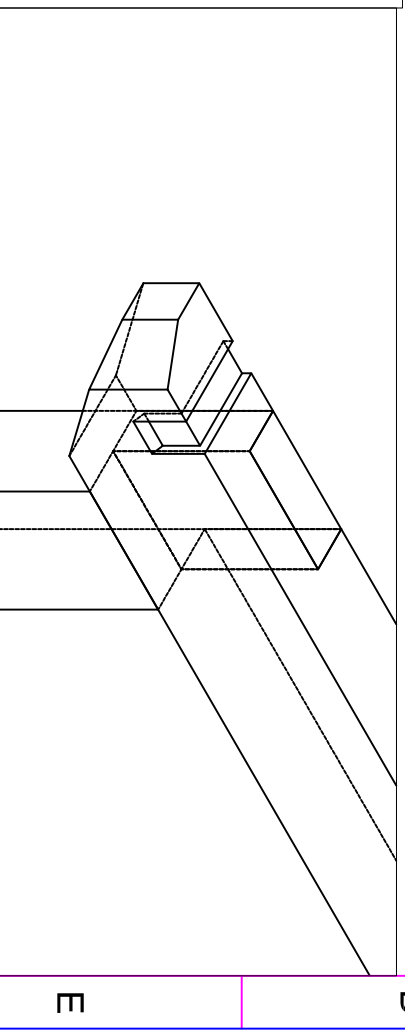
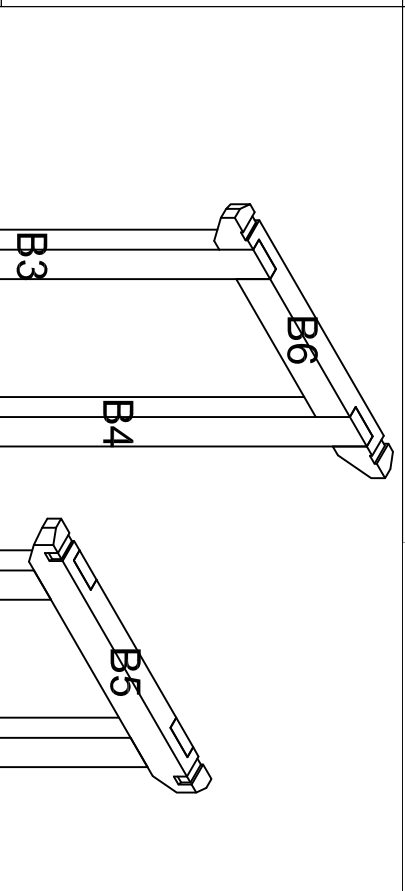
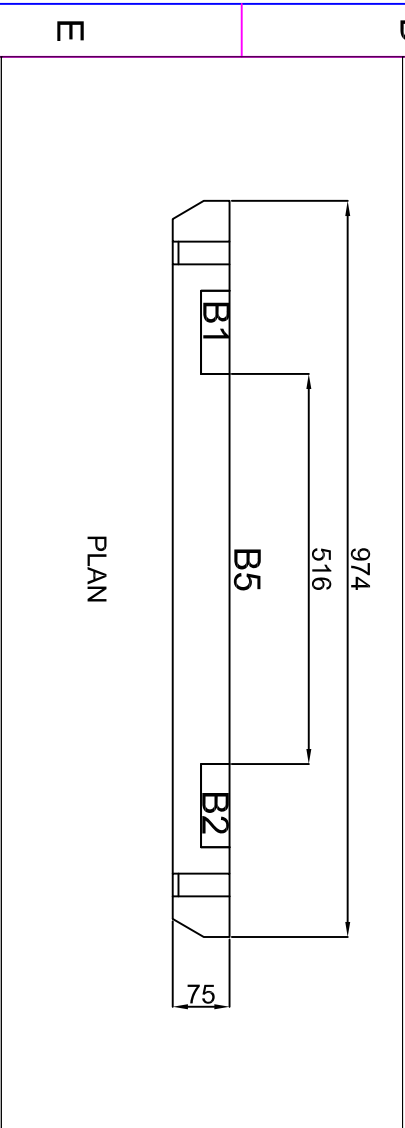
Rev: 30% change

Page: 2 Of 6





Mtlb	Length	Width	Thickness
B1	1575	110	75
B2	1575	110	75
B3	1575	110	75
B4	1575	110	75
B5	1050	110	75
B6	1050	110	75



Test Project for the 40th WorldSkills Competition in Calgary, Canada 2009

Skill: Carpentry No. 26

Scale: 1:15 Date: 30-08-2009 Paper: A3

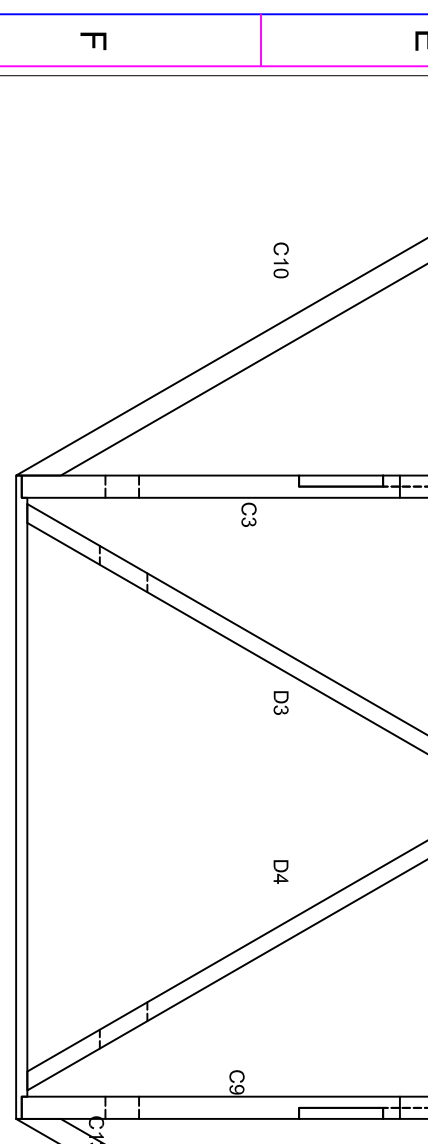
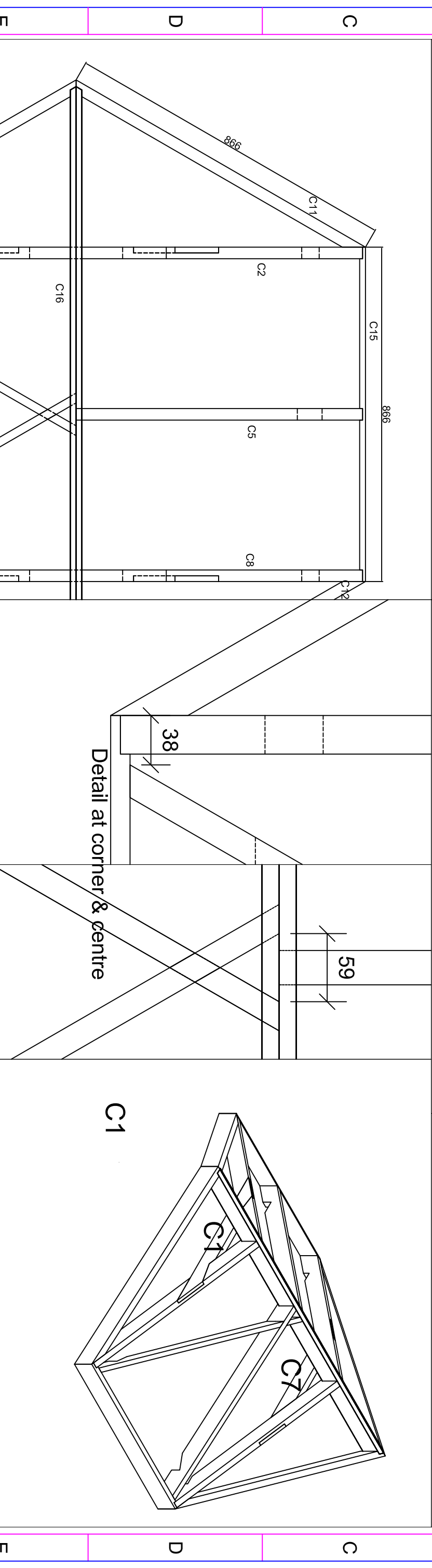
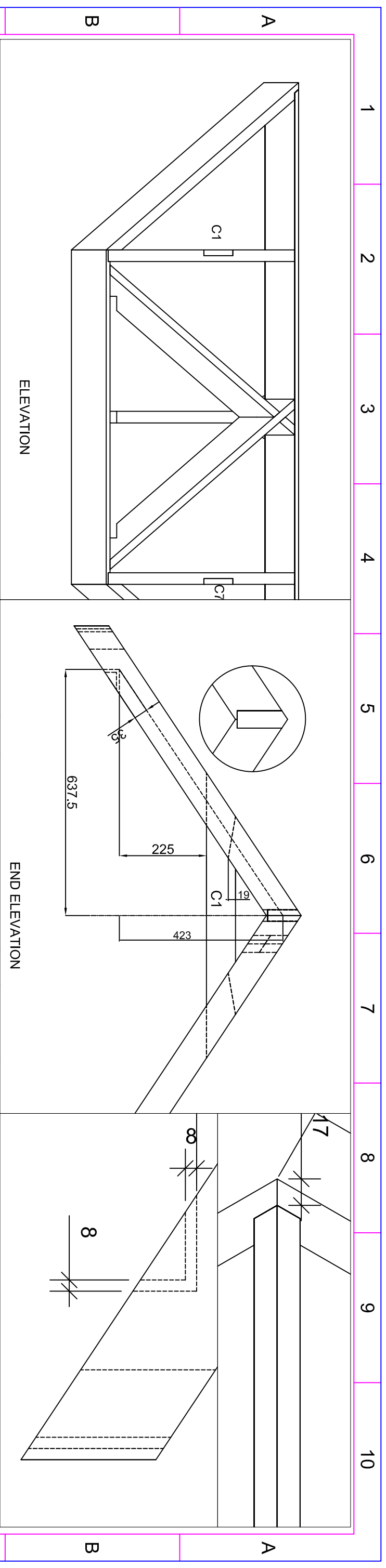
Drawn / Design by: Pat Noonan IE

Description: Module 1b

Drawing No: 3



Rev: 30% change

Page: 3 of 6

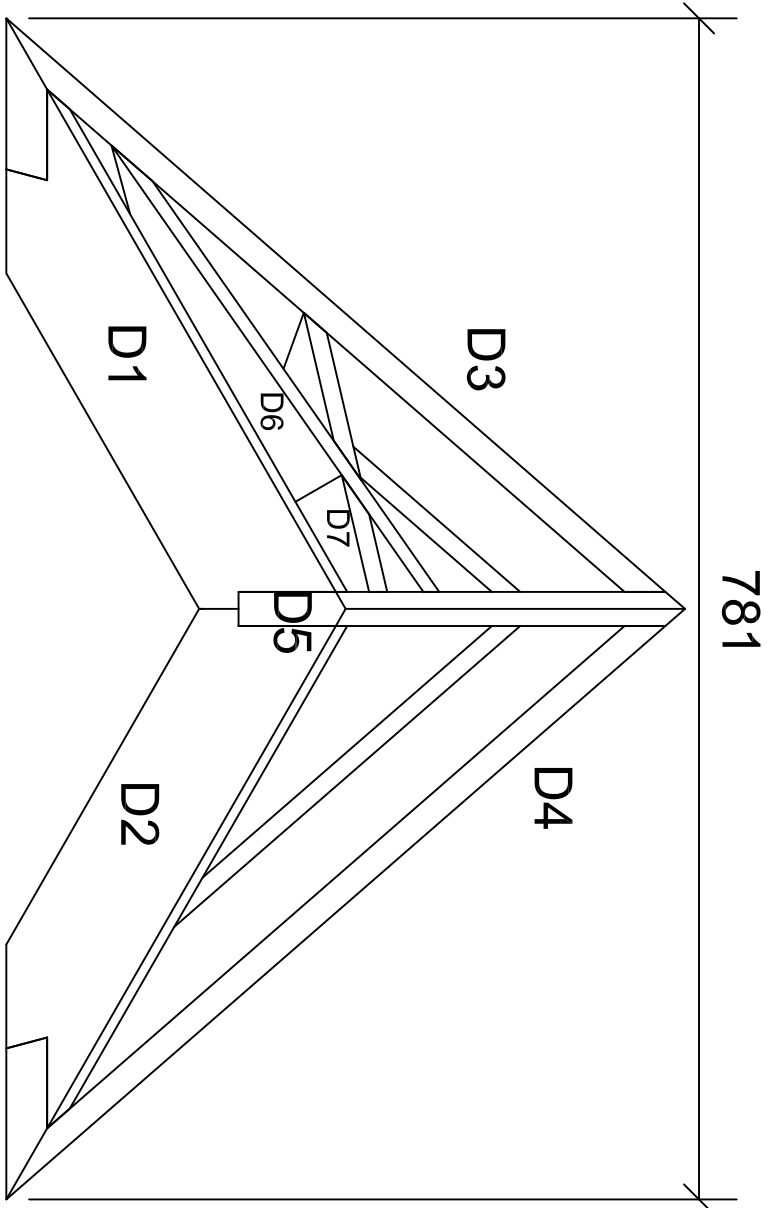


M2	Length	Width	Thickness
C1	1553	75	30
C2	1010	75	30
C3	1010	75	30
C4	1000	75	30
C5	1553	75	30
C6	1010	75	30
C7	1010	75	30
C8	1120	87	30
C9	1120	87	30
C10	1120	87	30
C11	1120	87	30
C12	1120	87	30
C13	1120	87	30
C14	945	100	15
C15	945	100	15
C16	1770	87	30
D3a	1051	90	22
D4a	1051	90	22

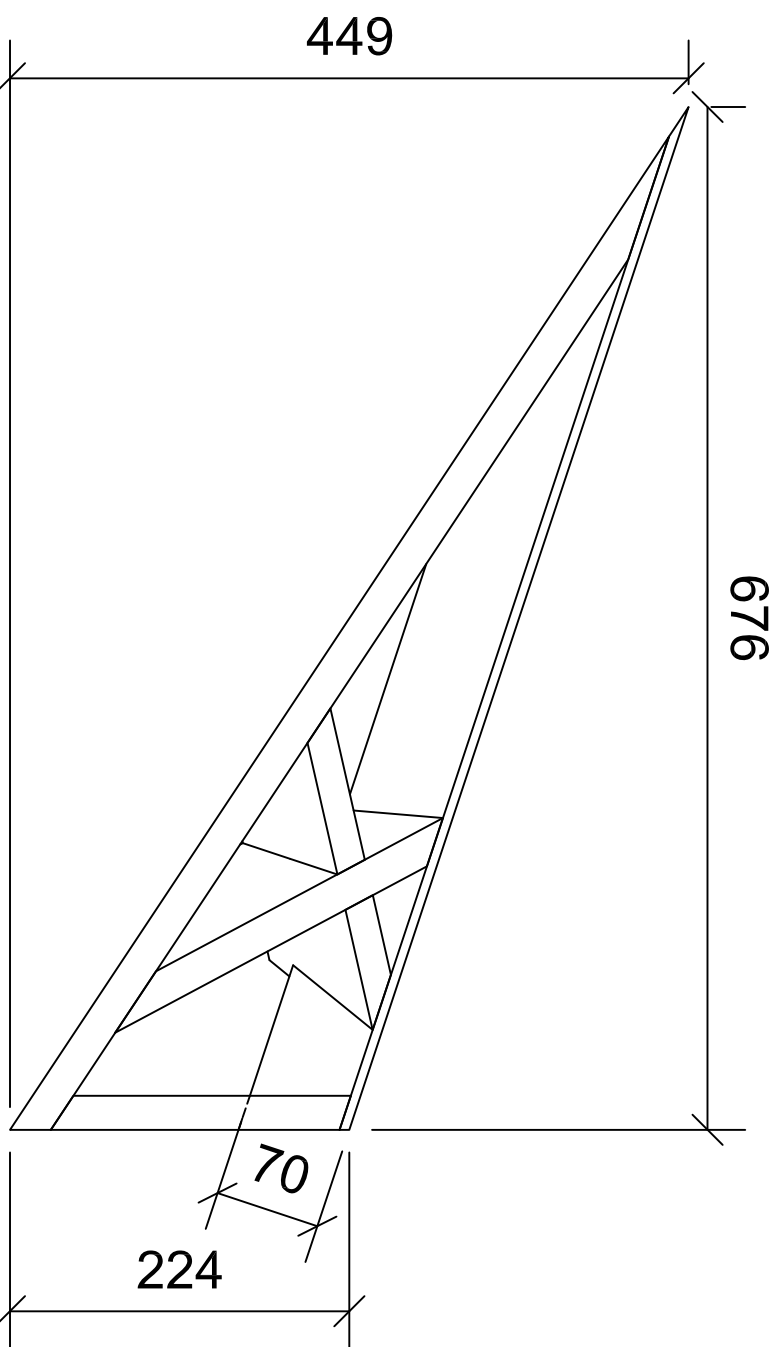
Test Project for the 40th WorldSkills
 Competition In Calgary, Canada 2009
 Skill: Carpentry No. 26
 Scale: 1/15 Date: 30-08-2009 Paper: A3
 Drawn / Design by: Pat Noonan IE
 Drawing No.: 4
 Description: Module 2
 Rev: 30% changes Page: 4 OF 6

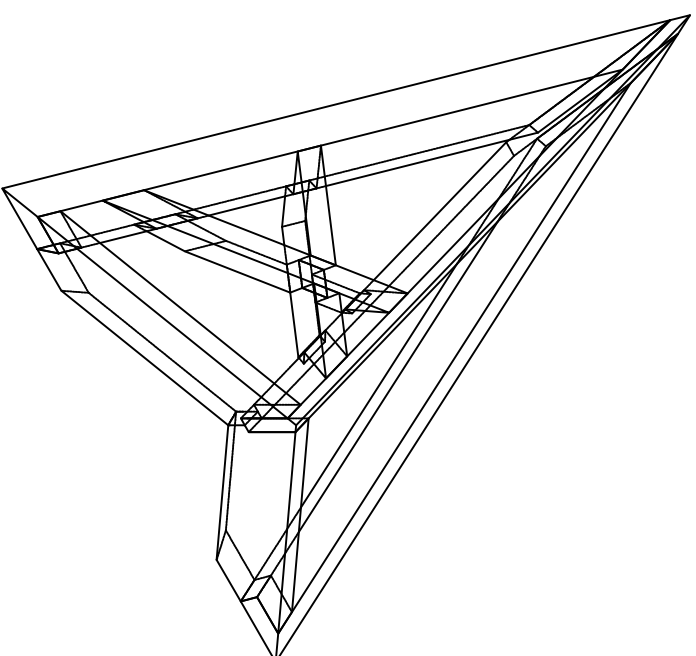
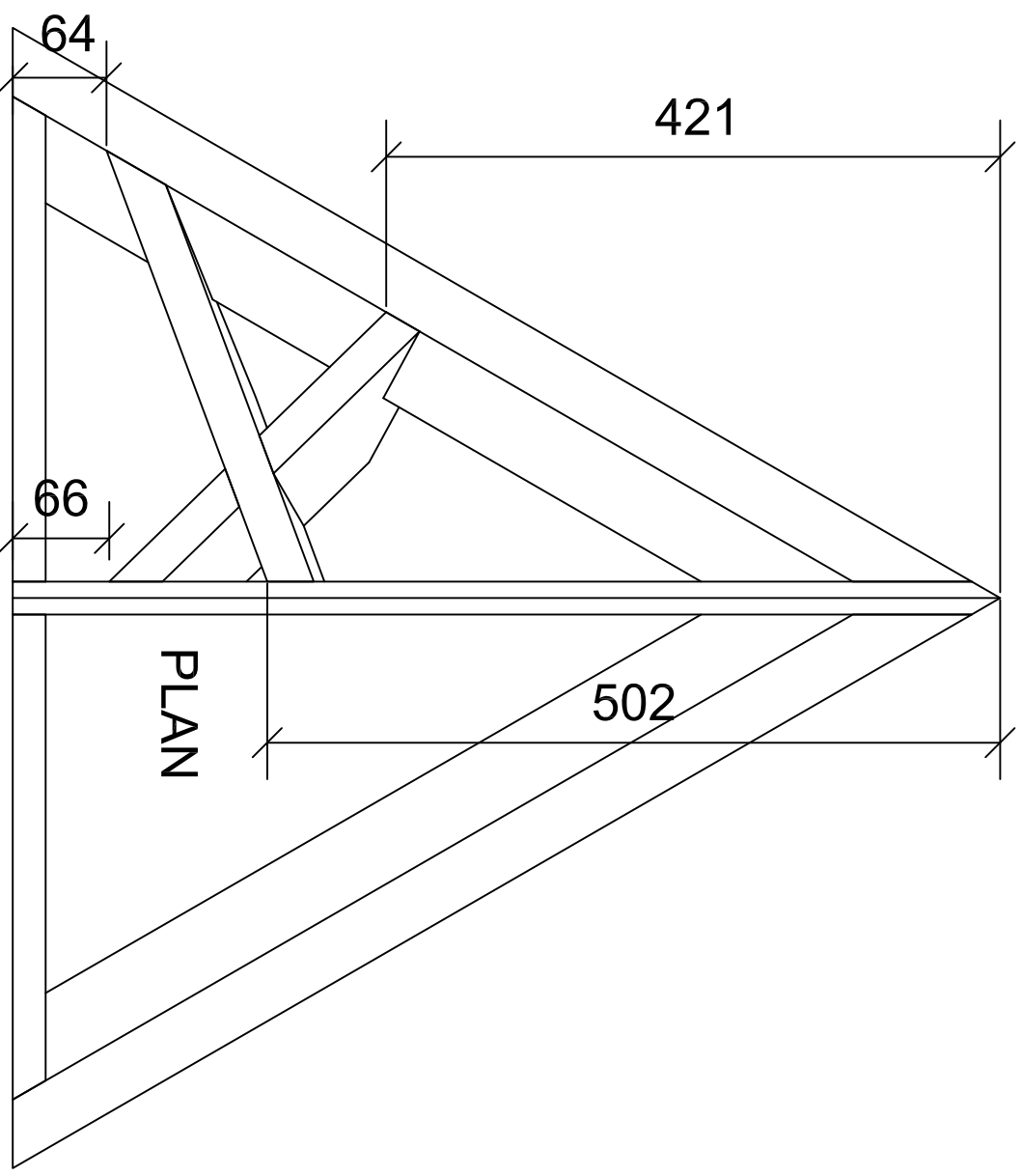
ELEVATION



END ELEVATION



PLAN



M3	Length	Width	Thickness
D1	510	90	22
D2	510	90	22
D3	1050	90	22
D4	1050	90	22
D5	890	90	22
D6	555	75	30
D7	425	75	30

Cedar

Test Project for the 40th WorldSkills Competition in Calgary, Canada 2009



Skill: Carpentry No. 26

Scale: 1:5 Date: 30-08-2009 Paper: A3

Drawn / Design by: Pat Noonan IE

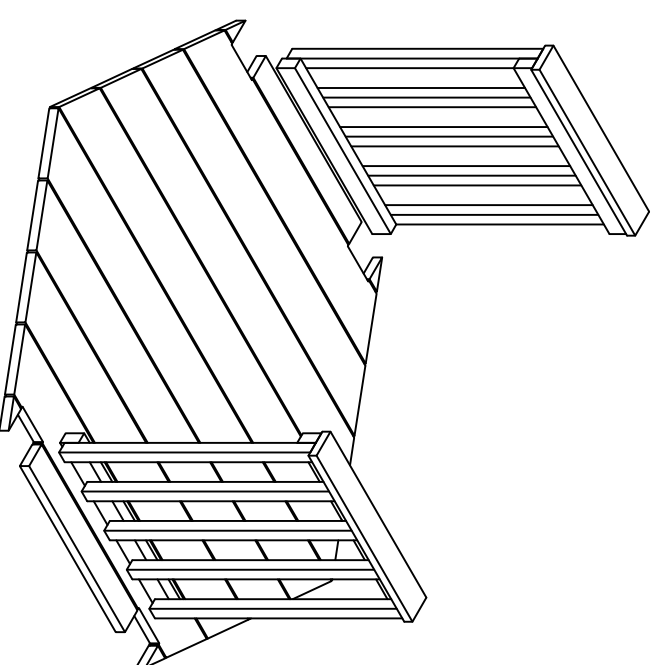
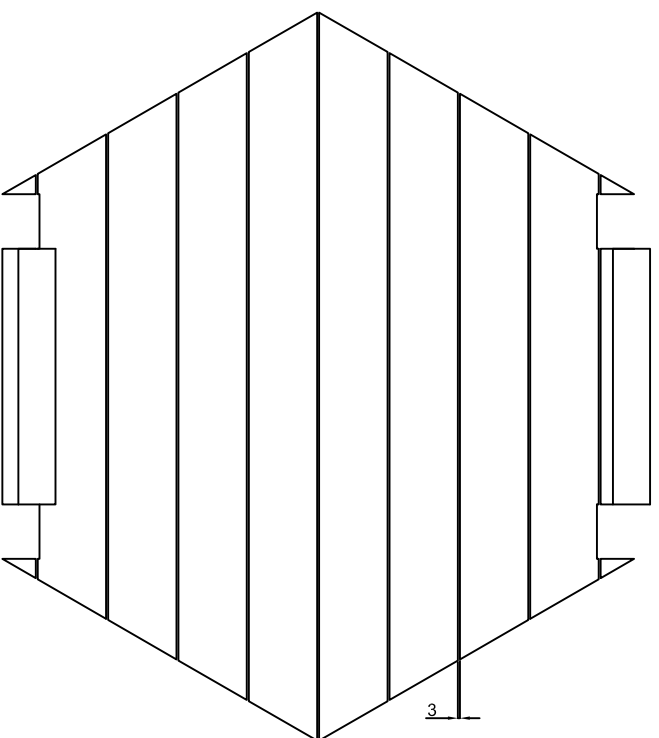
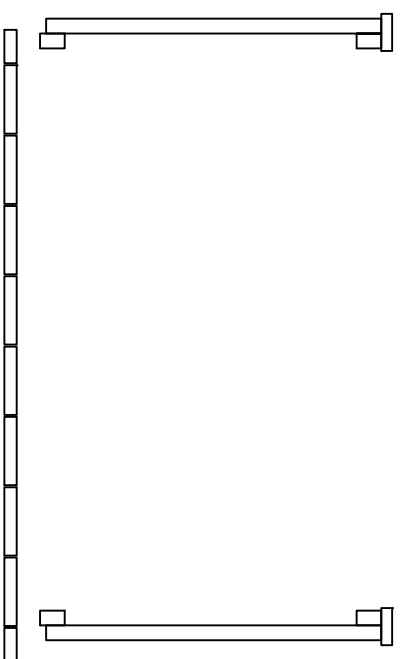
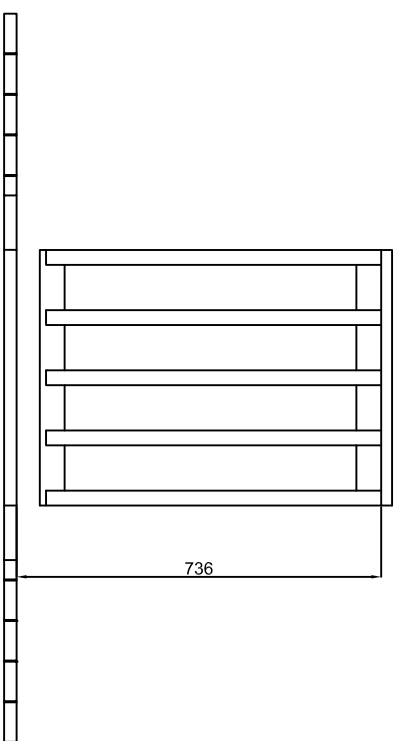
Description: Module 3

Drawing No: 5

Rev: 30% changes

Page: 5 of 6





M4	Length	Width	Thickness	
2	1500	138	25	Cedar Decking
2	1350	138	25	
2	1200	138	25	
2	1030	138	25	
2	850	138	25	
2	Balustrade supplied			

Module 4b

Fit the decking with 3mm spacing between the pieces.

Fit the balustrade 25mm above the decking.

Test Project for the 40th WorldSkills
Competition in Calgary, Canada 2009



Skill: Carpentry No. 26

Scale: 1/15 Date: 30-08-2009 Paper: A3

Drawn / Design by: Pat Noonan IE

Description: Module 4

Drawing No: 6

Rev: 30% changes

Page: 6 OF 6

