

Test Project for 41<sup>st</sup> WorldSkills  
 Competition in London, United Kingdom 2011.  
 Copyright © 2009 Worldskills International.  
 All Rights Reserved.



Skill: Carpentry 26

Scale: Date: 20.10.2009 Paper: A3

Drawn / Design by: HANTOS, Zoltan

Description: Axonometric view

Drawing No: 1.

Rev:

Page:

1 2 3 4 5 6 7 8 9 10

A A

B B

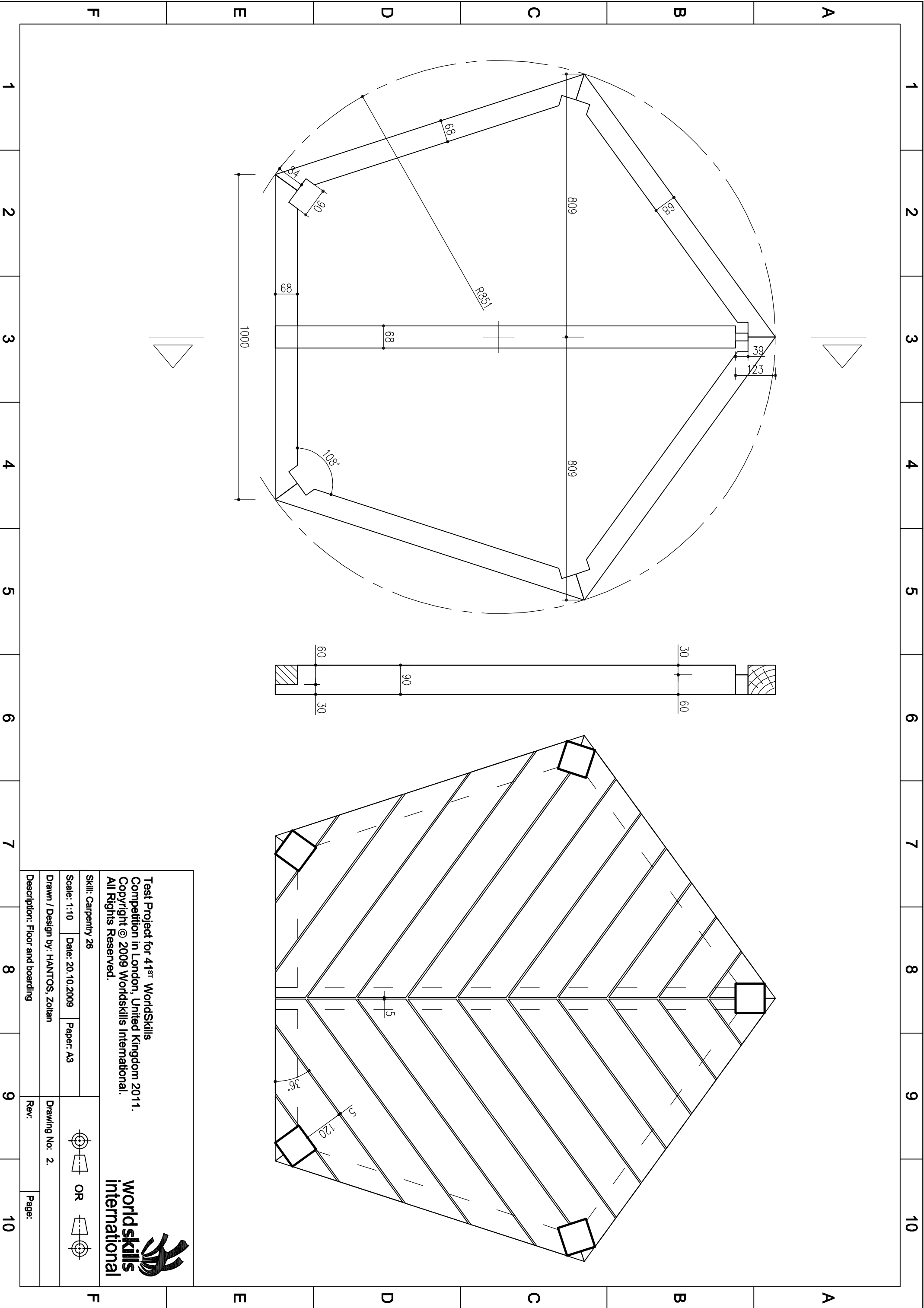
C C

D D

E E

F F

1 2 3 4 5 6 7 8 9 10



Test Project for 41<sup>st</sup> WorldSkills  
 Competition in London, United Kingdom 2011.  
 Copyright © 2009 WorldSkills International.  
 All Rights Reserved.



Skill: Carpentry 26

Scale: 1:10 Date: 20.10.2009 Paper: A3

Drawn / Design by: HANTOS, Zoltan

Description: Floor and boarding



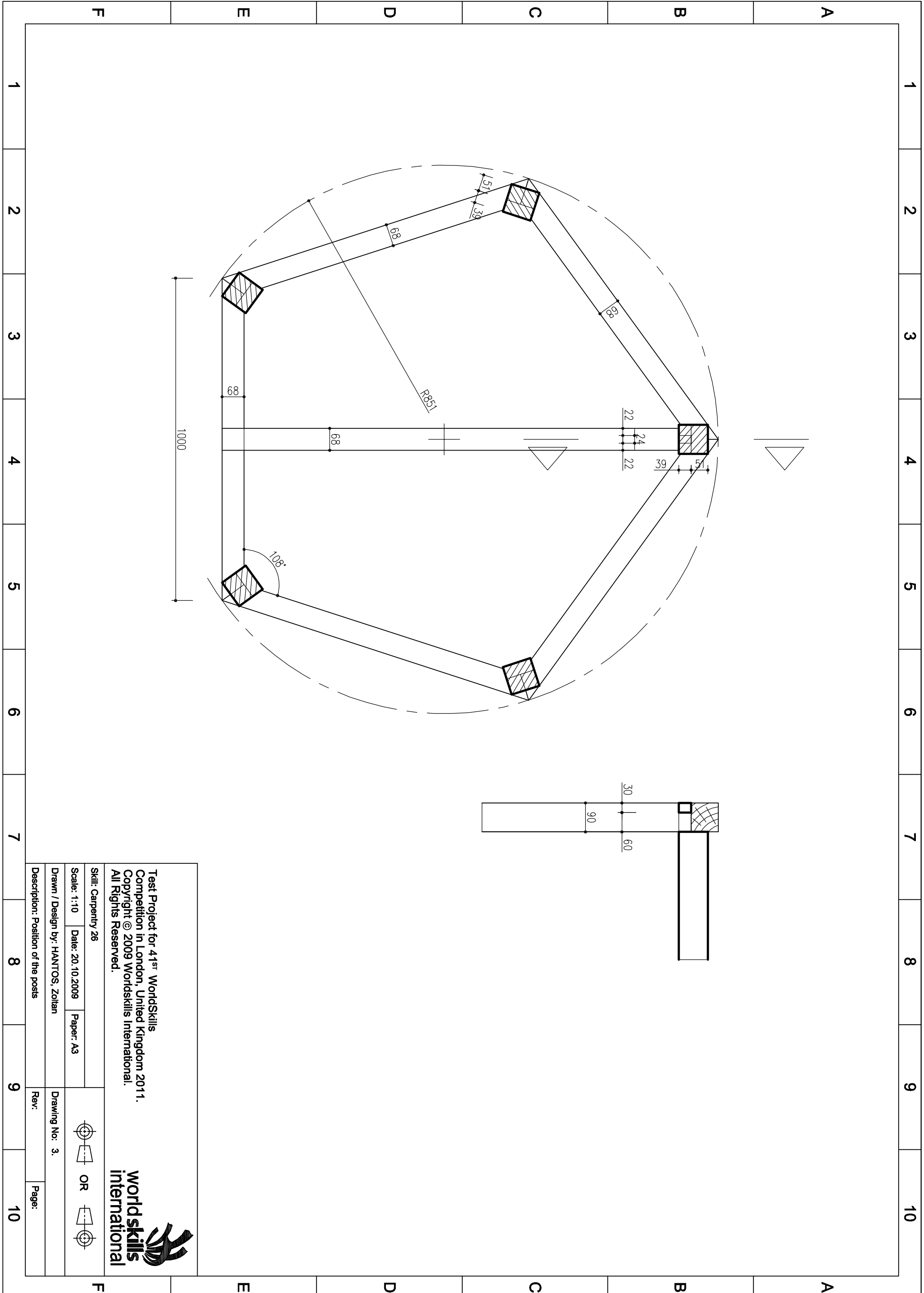
Drawing No: 2.

Rev:

Page:

1 2 3 4 5 6 7 8 9 10

F E D C B A



Test Project for 41<sup>st</sup> WorldSkills  
 Competition in London, United Kingdom 2011.  
 Copyright © 2009 Worldskills International.  
 All Rights Reserved.



Skill: Carpentry 26

Scale: 1:10 Date: 20.10.2009 Paper: A3

Drawn / Design by: HANTOS, Zoltan

Description: Position of the posts

Drawing No: 3.

Rev:

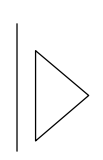
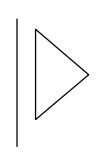
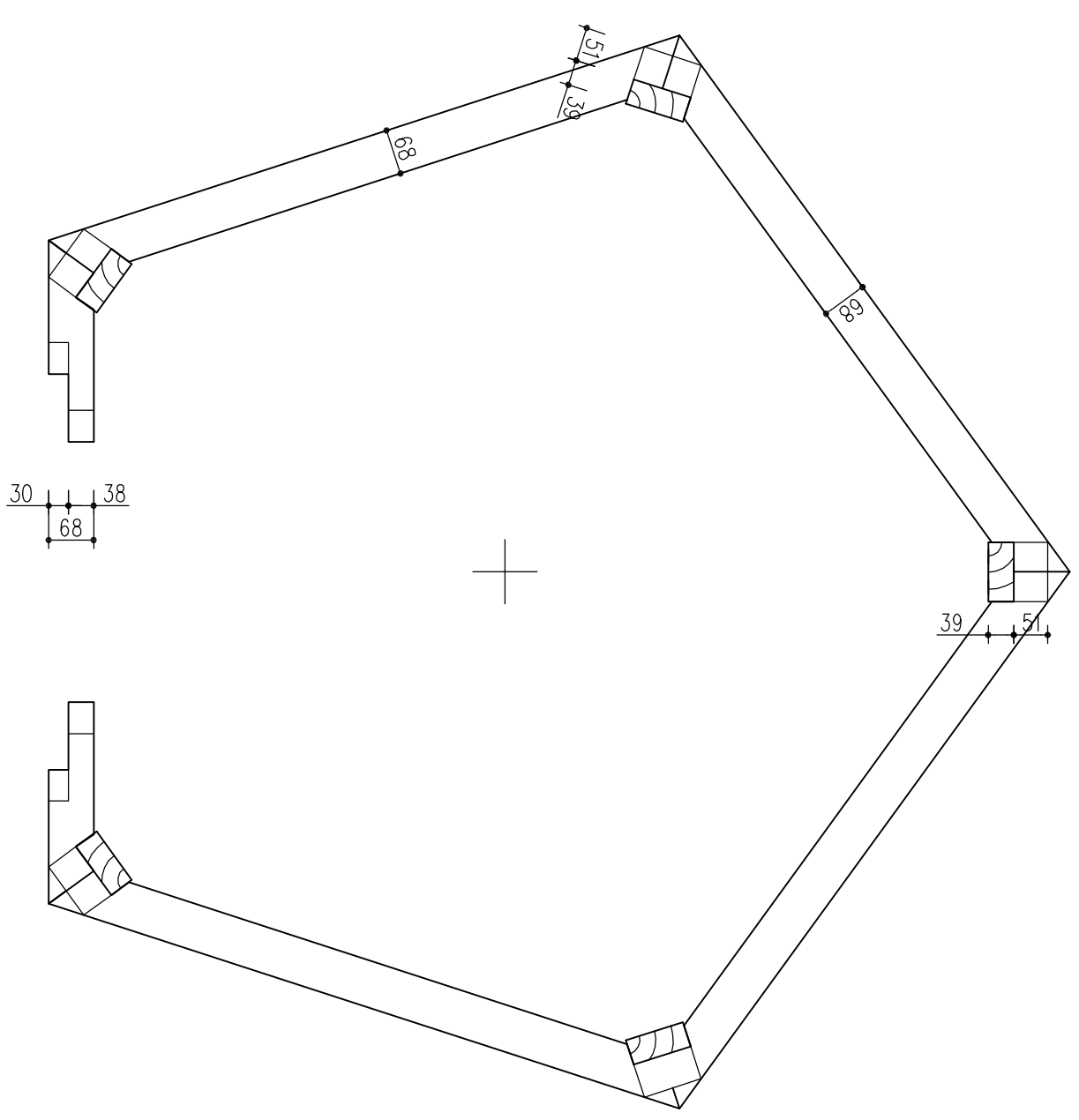
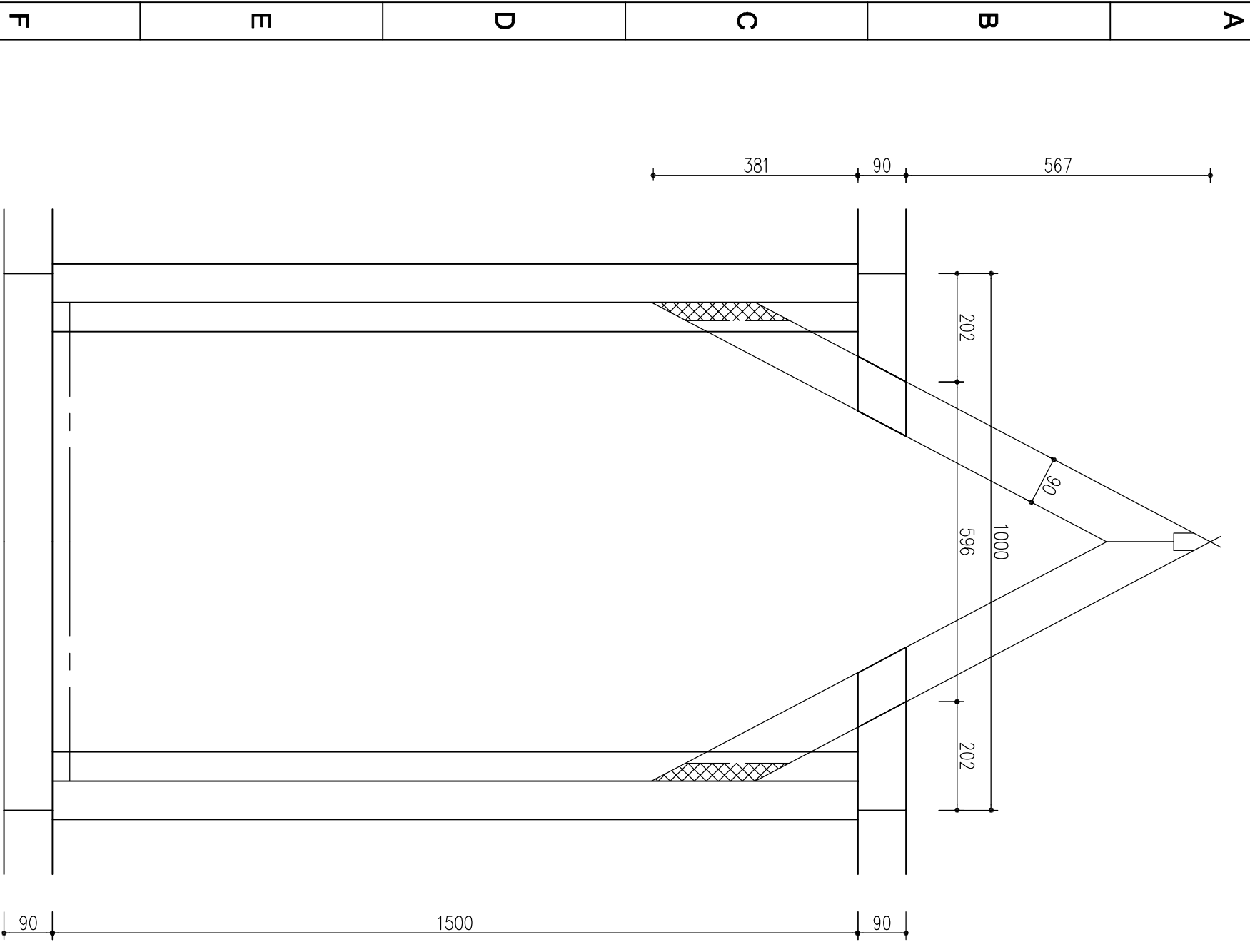
Page:



1 2 3 4 5 6 7 8 9 10

A B C D E F

A B C D E F



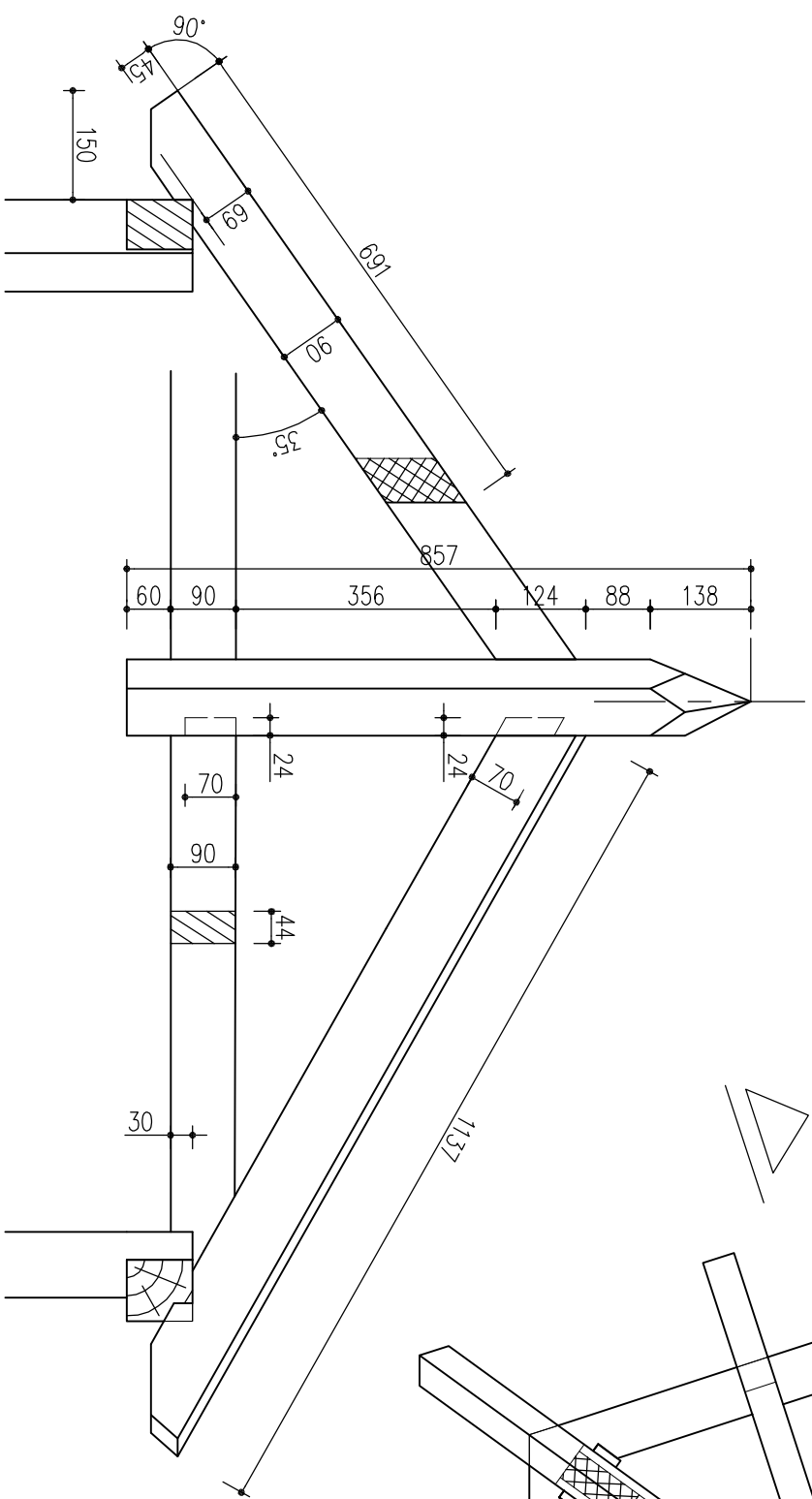
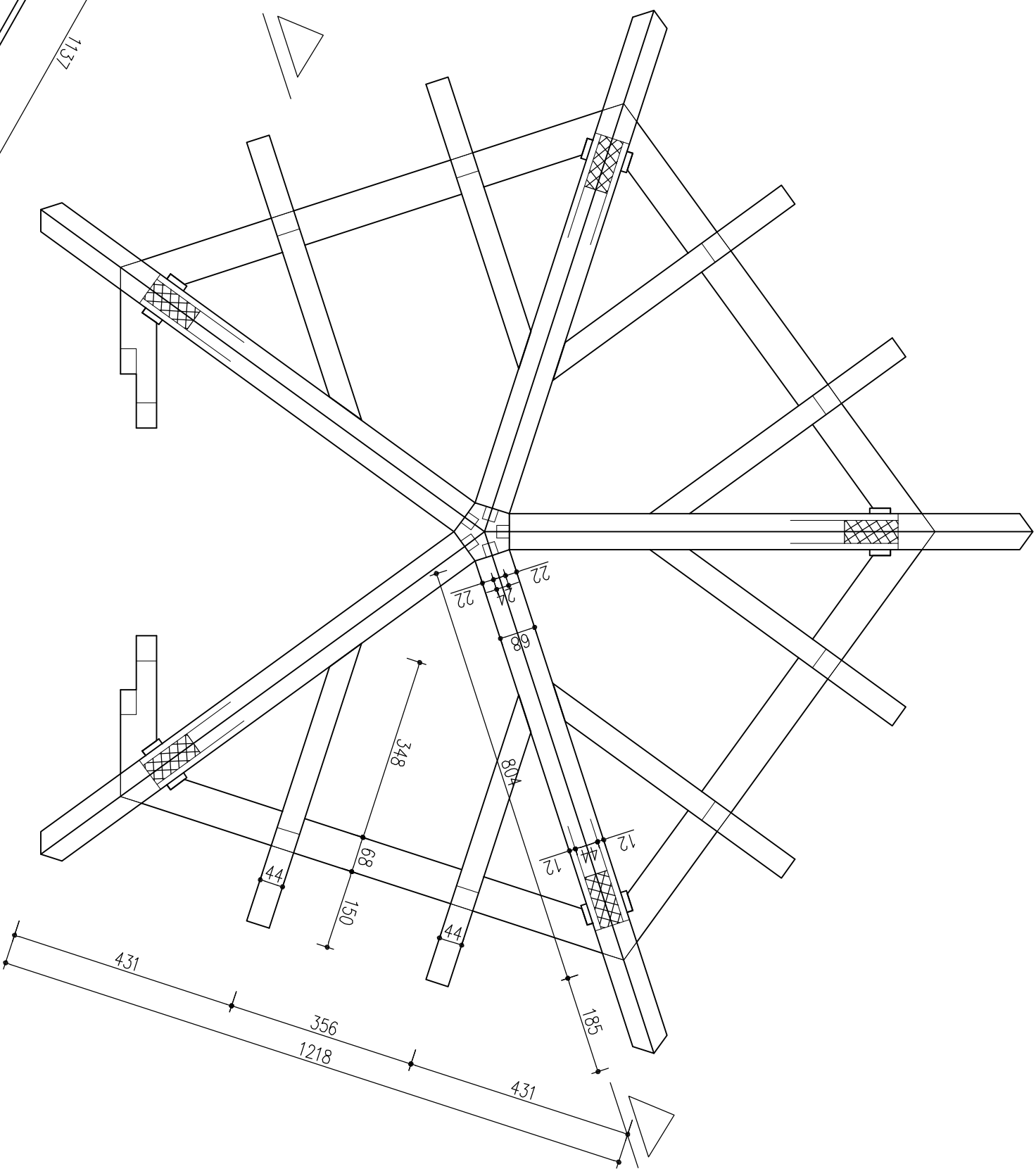
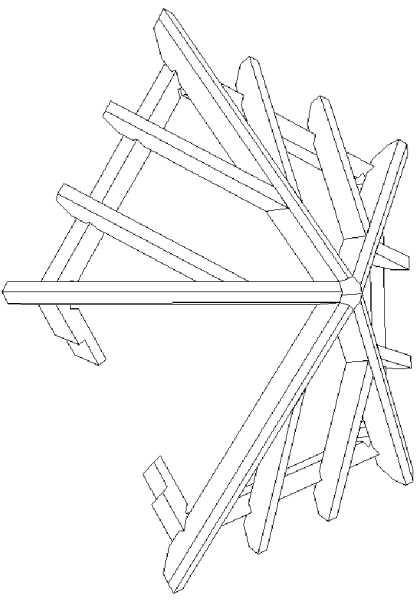
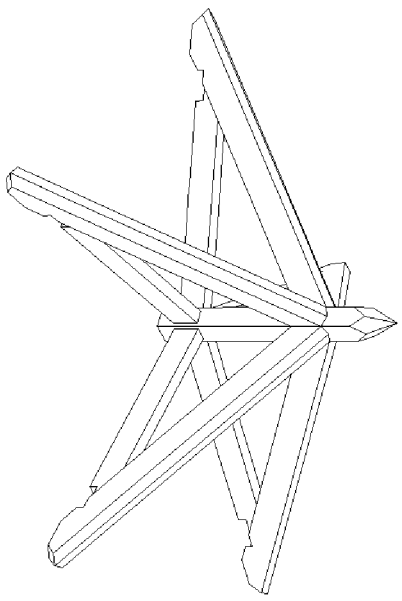
Test Project for 41<sup>st</sup> WorldSkills  
 Competition in London, United Kingdom 2011.  
 Copyright © 2009 Worldskills International.  
 All Rights Reserved.



Skill: Carpentry 26		Paper: A3		Drawing No.: 4.	
Scale: 1:10	Date: 20.10.2009			Rev:	Page:
Drawn / Design by: HANTOS, Zoltan					
Description: Ridge purlins					

Grid labels: A, B, C, D, E, F (vertical); 1, 2, 3, 4, 5, 6, 7, 8, 9, 10 (horizontal)





Test Project for 41<sup>st</sup> WorldSkills  
Competition in London, United Kingdom 2011.  
Copyright © 2009 Worldskills International.  
All Rights Reserved.



Skill: Carpentry 26

Scale: 1:10 Date: 20.10.2009 Paper: A3

Drawn / Design by: HANTOS, Zoltan

Description: Roof construction



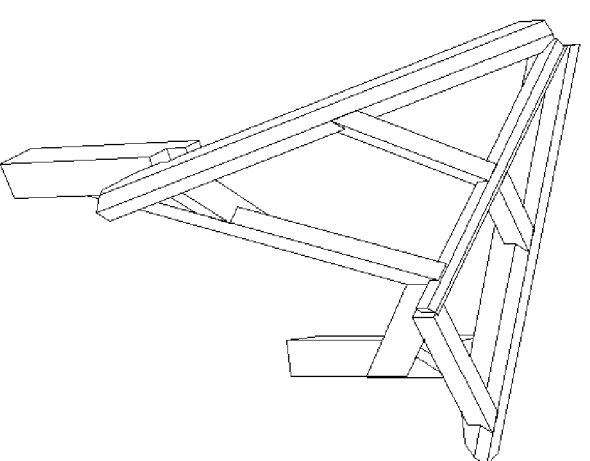
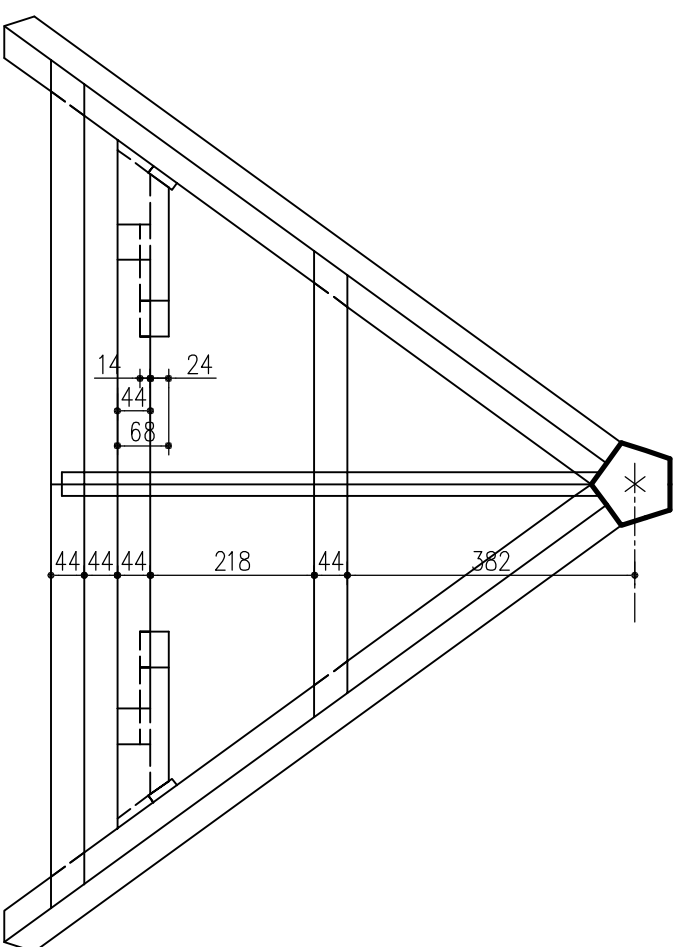
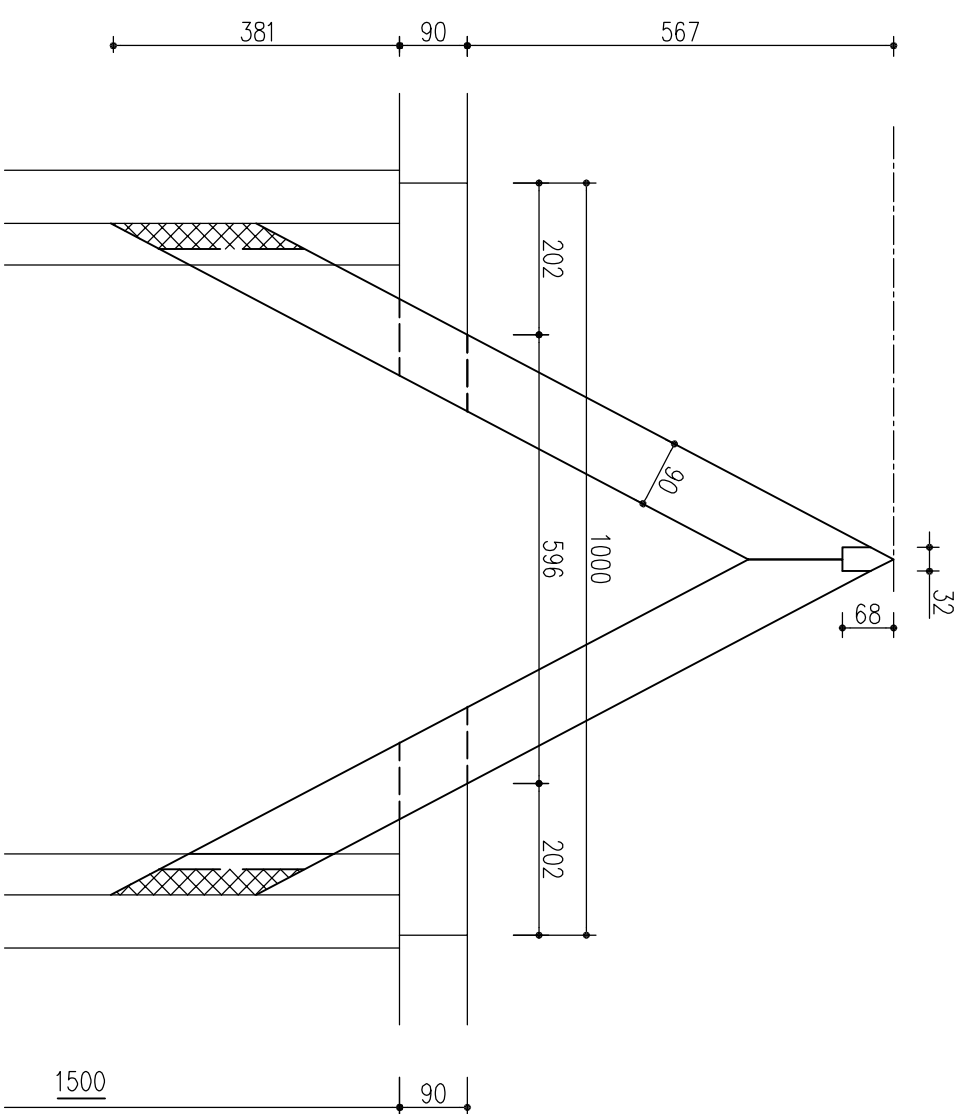
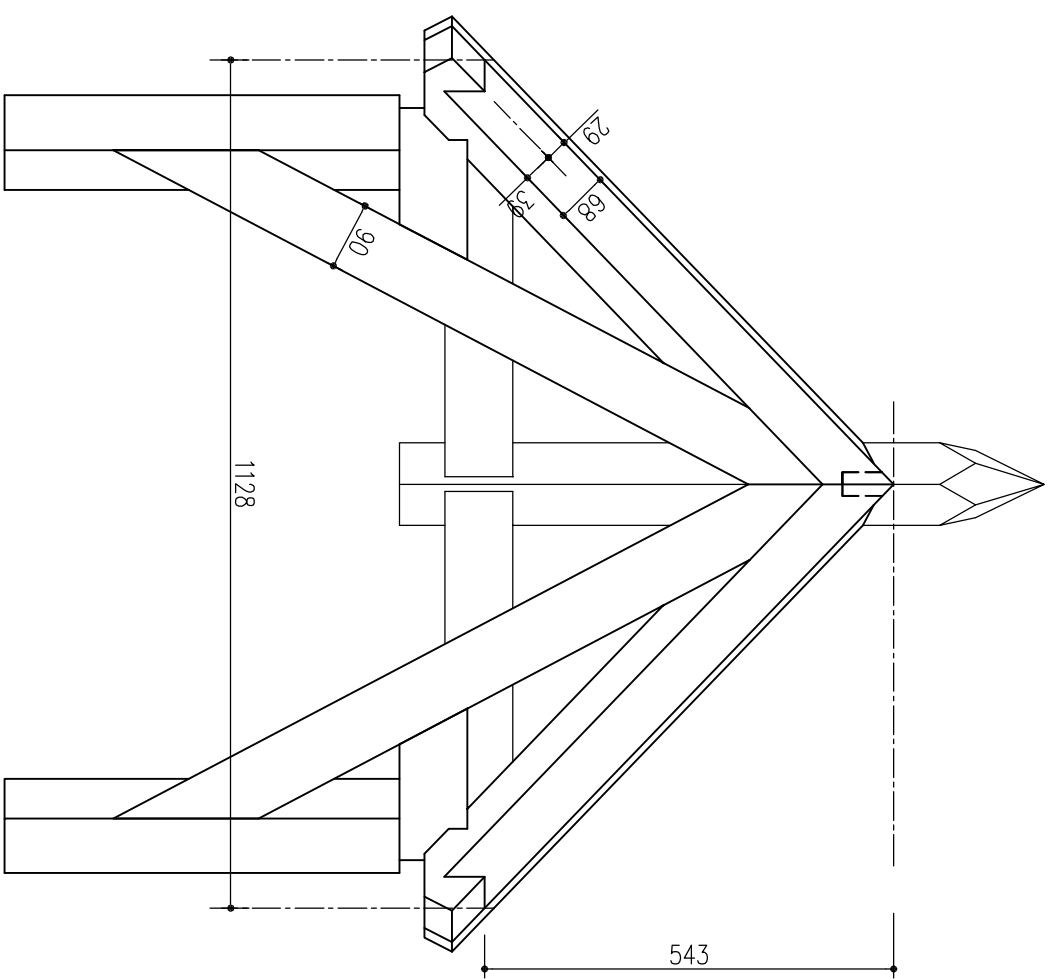
Drawing No: 6.

Rev: Page:

1 2 3 4 5 6 7 8 9 10

F E D C B A

F E D C B A



Test Project for 41<sup>st</sup> WorldSkills  
Competition in London, United Kingdom 2011.  
Copyright © 2009 Worldskills International.  
All Rights Reserved.



Skill: Carpentry 26

Scale: 1:10 Date: 20.10.2009 Paper: A3

Drawn / Design by: HANTOS, Zoltan

Description: Dormer



Drawing No: 7.

Rev: Page:

1	2	3	4	5	6	7	8	9	10
A	B	C	D	E	F				